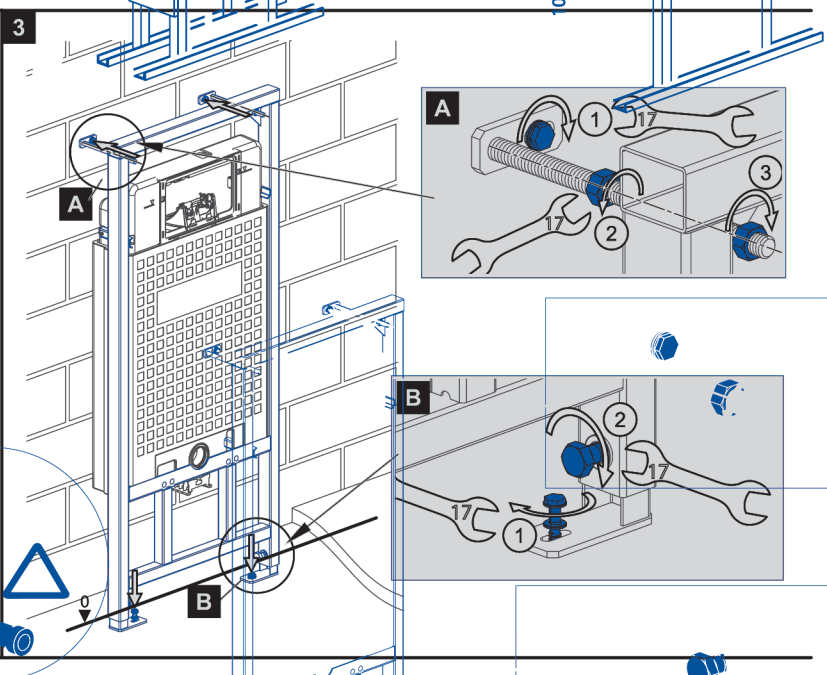
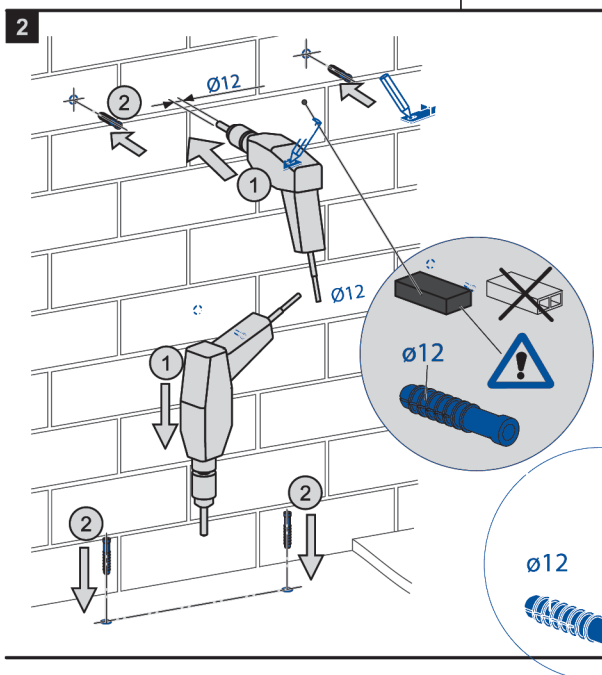
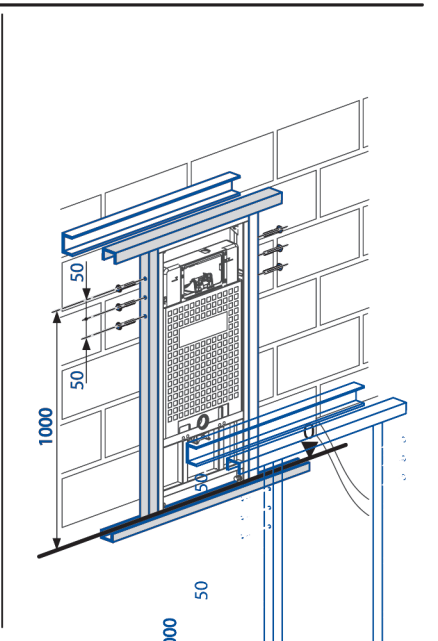
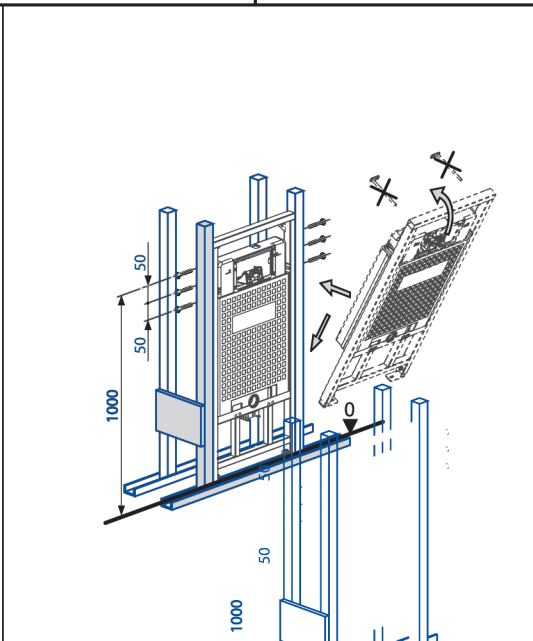
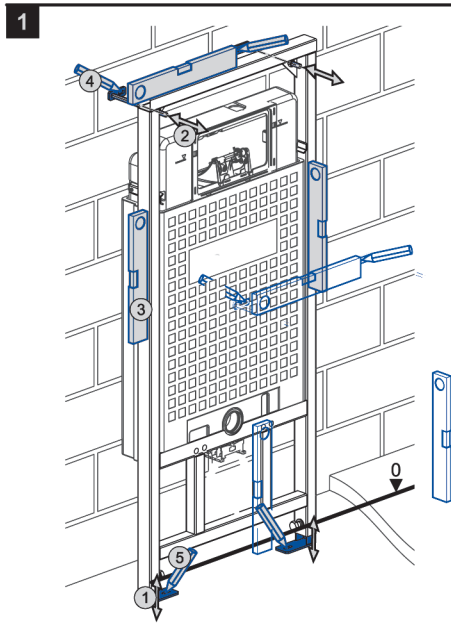
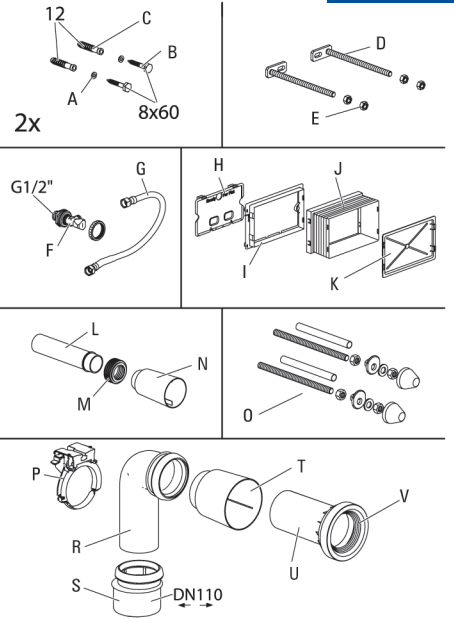
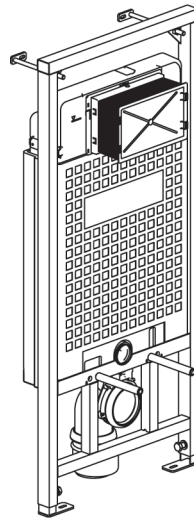
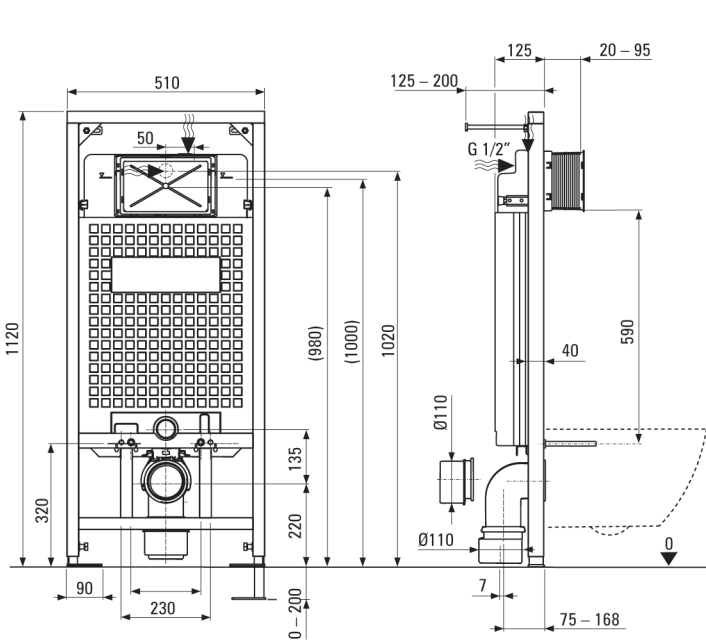
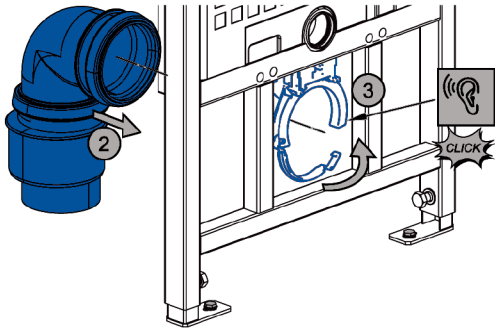
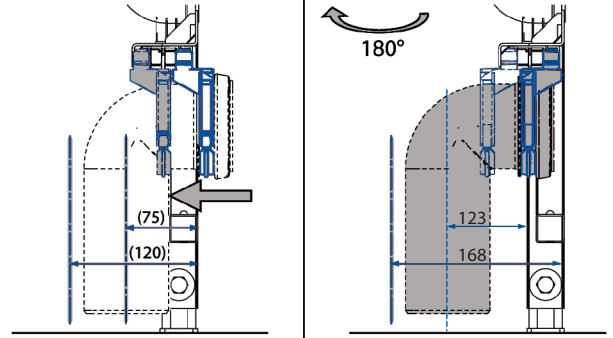
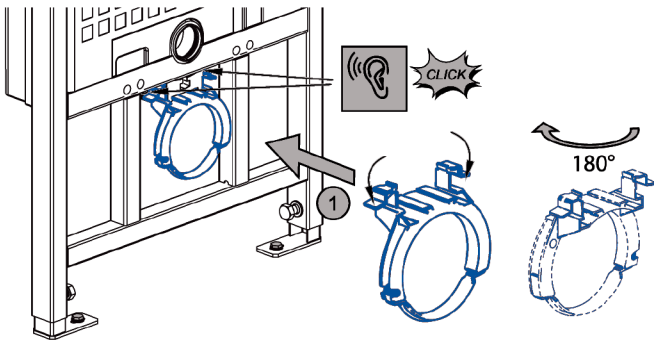




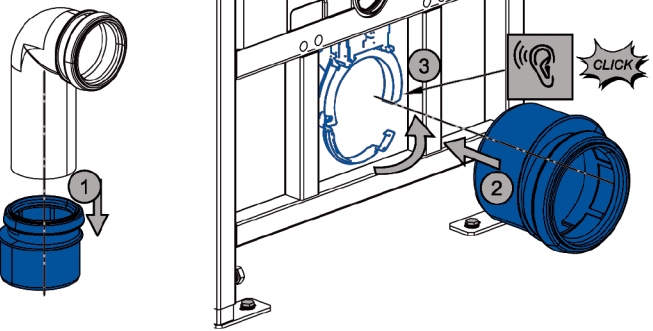
# MANUAL INSTRUCTION



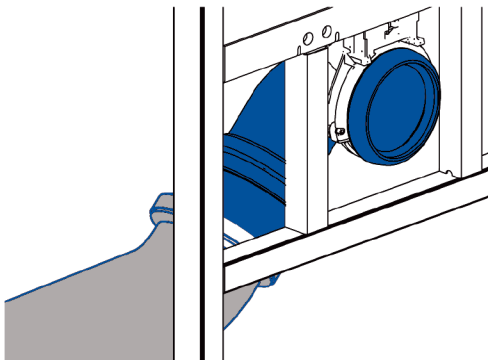
4



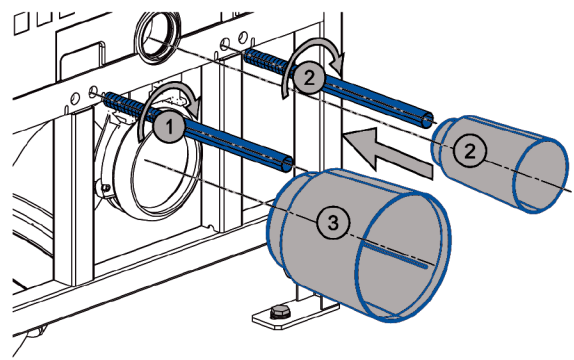
4 - 1



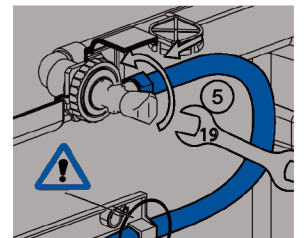
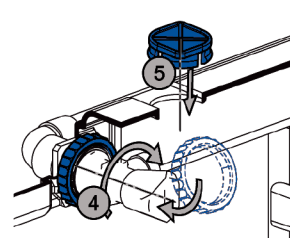
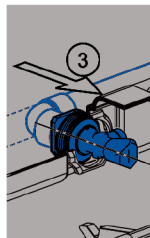
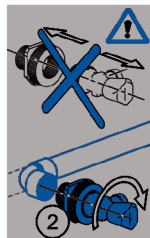
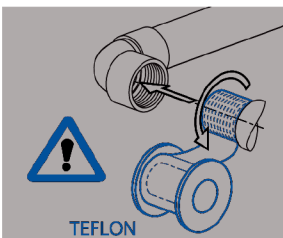
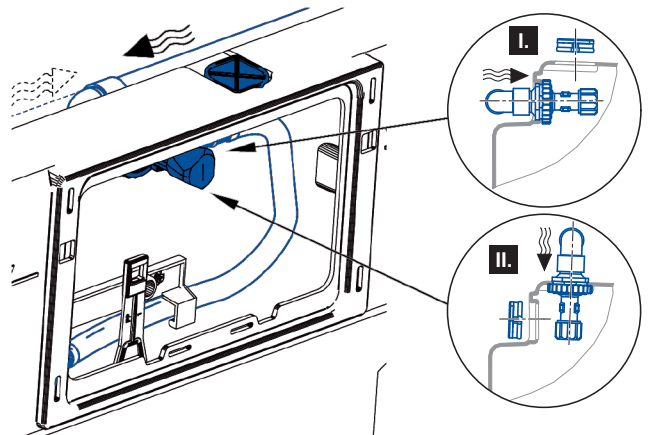
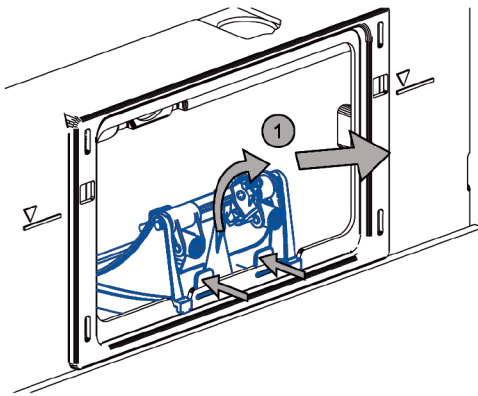
5

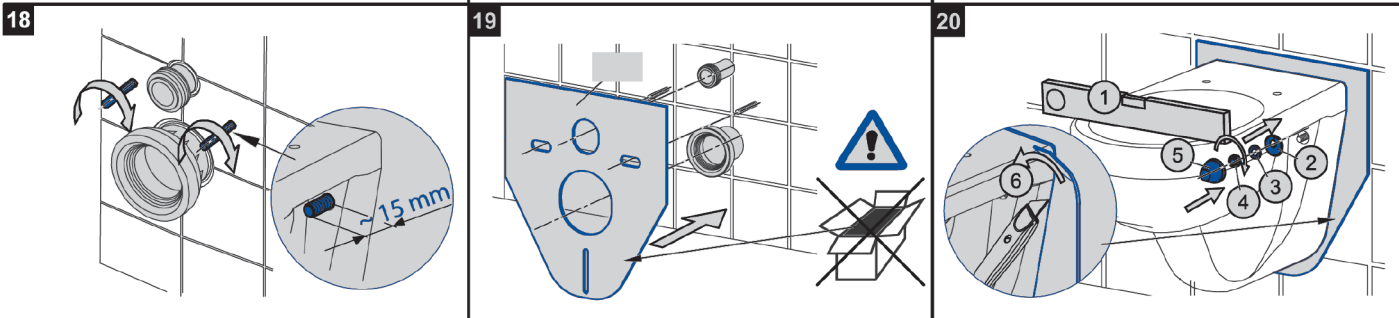
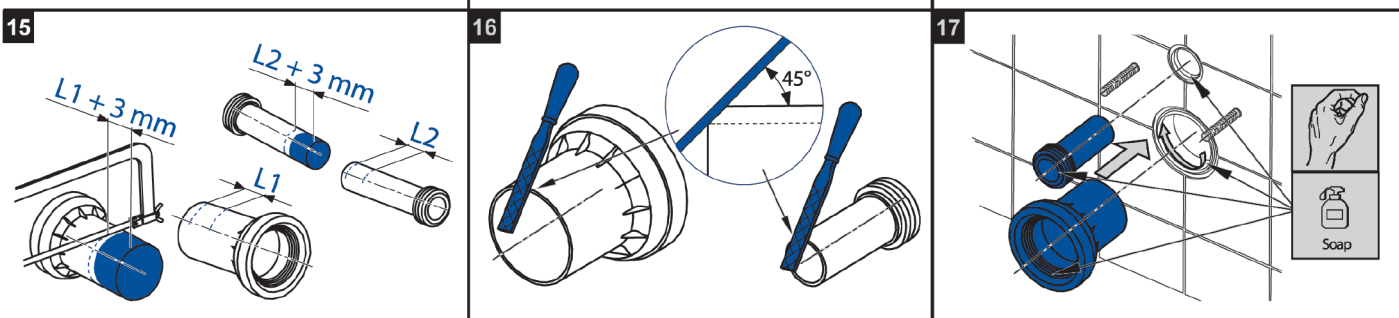
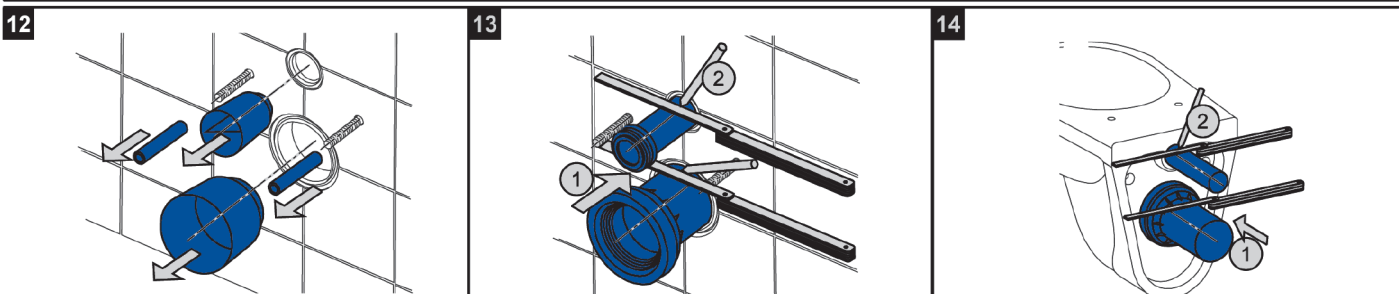
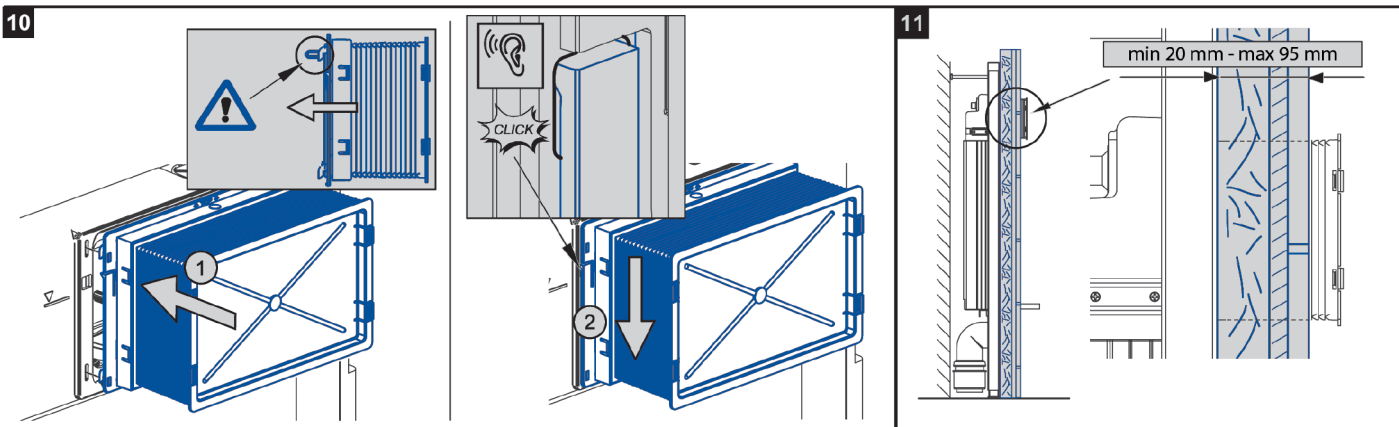
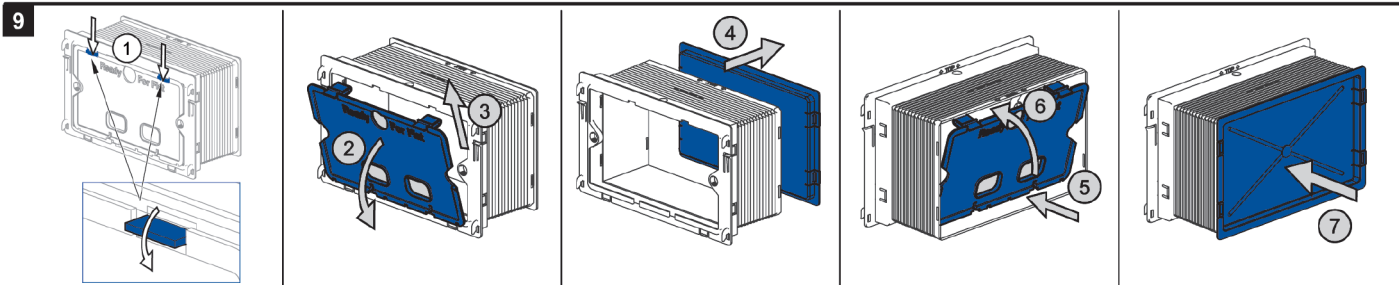
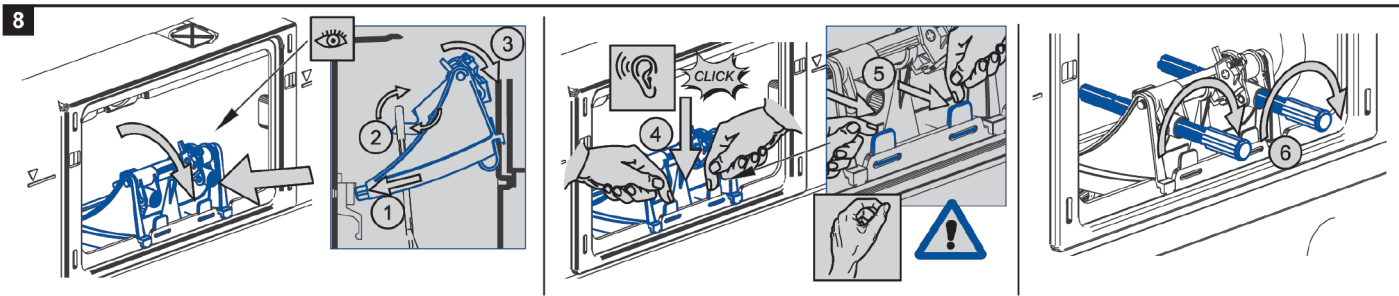


6



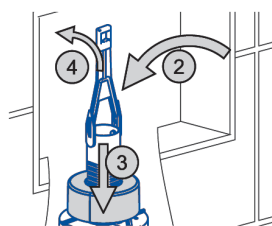
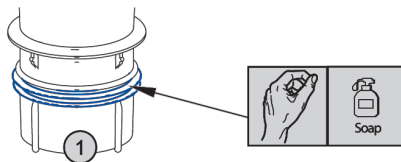
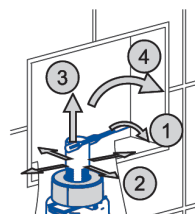
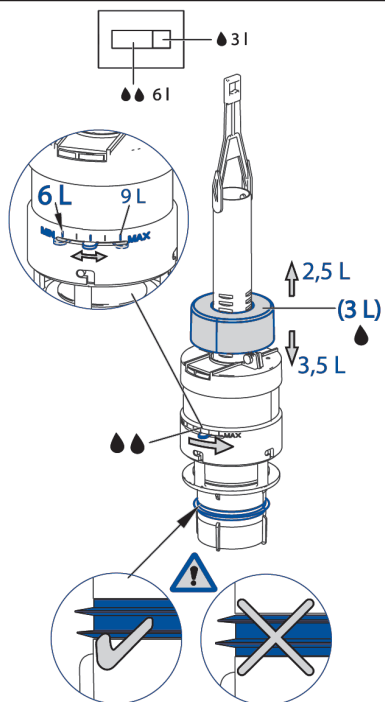
7







A06



A16P-3/8"

