

GSH 40 (Euro 1) Chainsaw

Documents

Engine

Ignition system

Crankcase

Tank

Chain cover

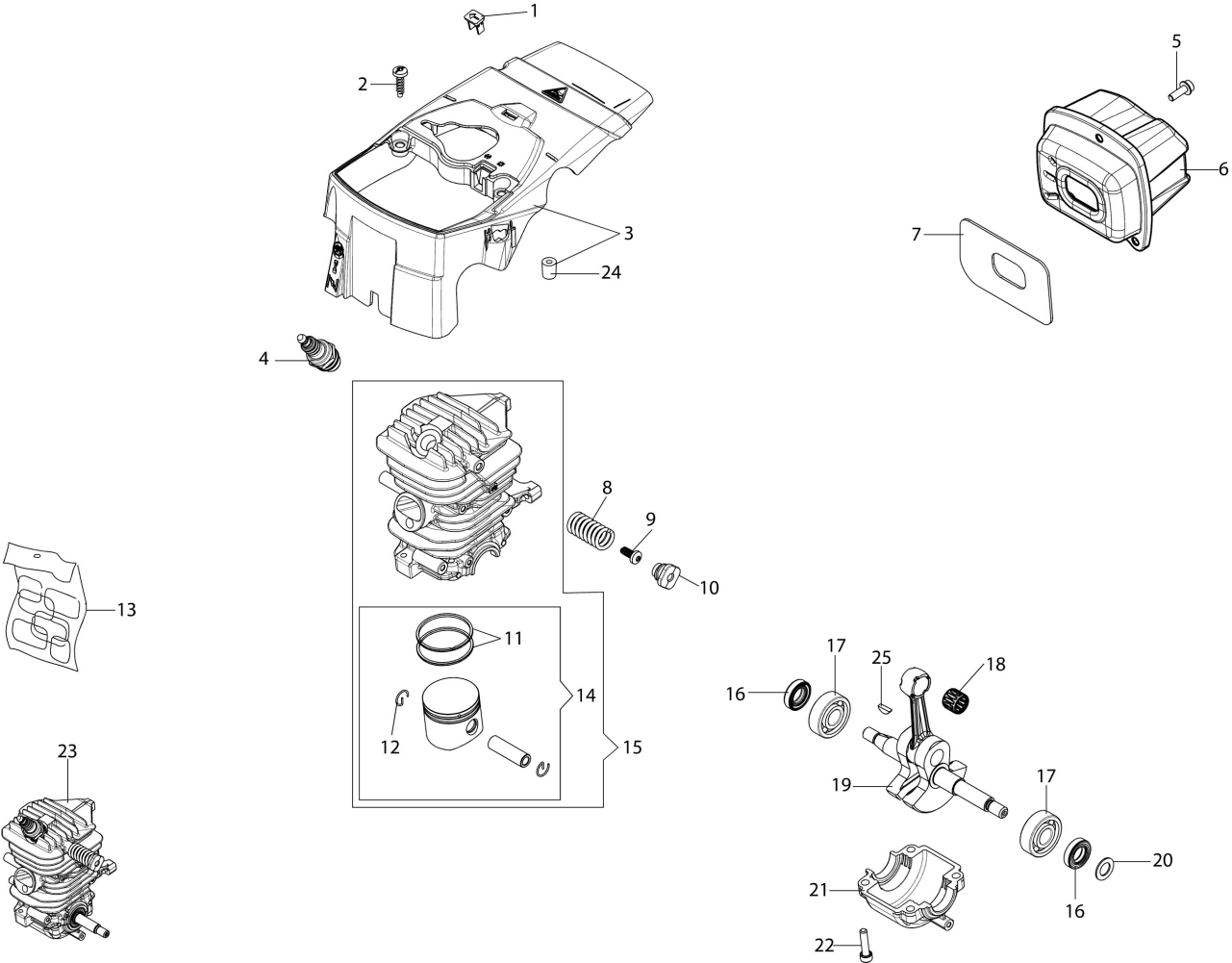


Illustration Engine

| Ref.Nu | Qty | Part number | Description | Validity from | Validity till | Notes | Bulletin |
|--------|-----|-------------|-------------------|---------------|---------------|-------|----------|
| 1 | 1 | 50170032R | Plate | | | | |
| 2 | 3 | 3960115R | Screw | | | | |
| 3 | 1 | 50330084 | Engine cover | | | | |
| 4 | 1 | 3055104R | Spark plug | | | | |
| 5 | 3 | 3860117R | Screw | | | | |
| 6 | 1 | 50170027R | Muffler | | | | |
| 7 | 1 | 50170031R | Gasket | | | | |
| 8 | 1 | 50050047AR | Spring | | | | |
| 9 | 1 | 3960073R | Screw | | | | |
| 10 | 1 | 50170034R | Support | | | | |
| 11 | 2 | 61450014R | Piston ring | | | | |
| 12 | 2 | 61450013R | Ring | | | | |
| 13 | 1 | 50330086 | Labels kit | | | | |
| 14 | 1 | 61450187R | Piston assy | | | | |
| 15 | 1 | 50330085 | Complete cylinder | | | | |
| 16 | 2 | 50272004R | Seal ring | | | | |
| 17 | 2 | 094000006R | Bearing | | | | |
| 18 | 1 | 50110044R | Bearing | | | | |
| 19 | 1 | 50330001AR | Crankshaft | | | | |
| 20 | 1 | 004400285 | Washer | | | | |
| 21 | 1 | 50330016R | Cover | | | | |
| 22 | 4 | 3801051R | Screw | | | | |
| 23 | 1 | 50330088 | Short block | | | | |
| 24 | 1 | 50070126R | Spacer | | | | |
| 25 | 1 | 50310118R | Key | | | | |

Illustration Ignition system

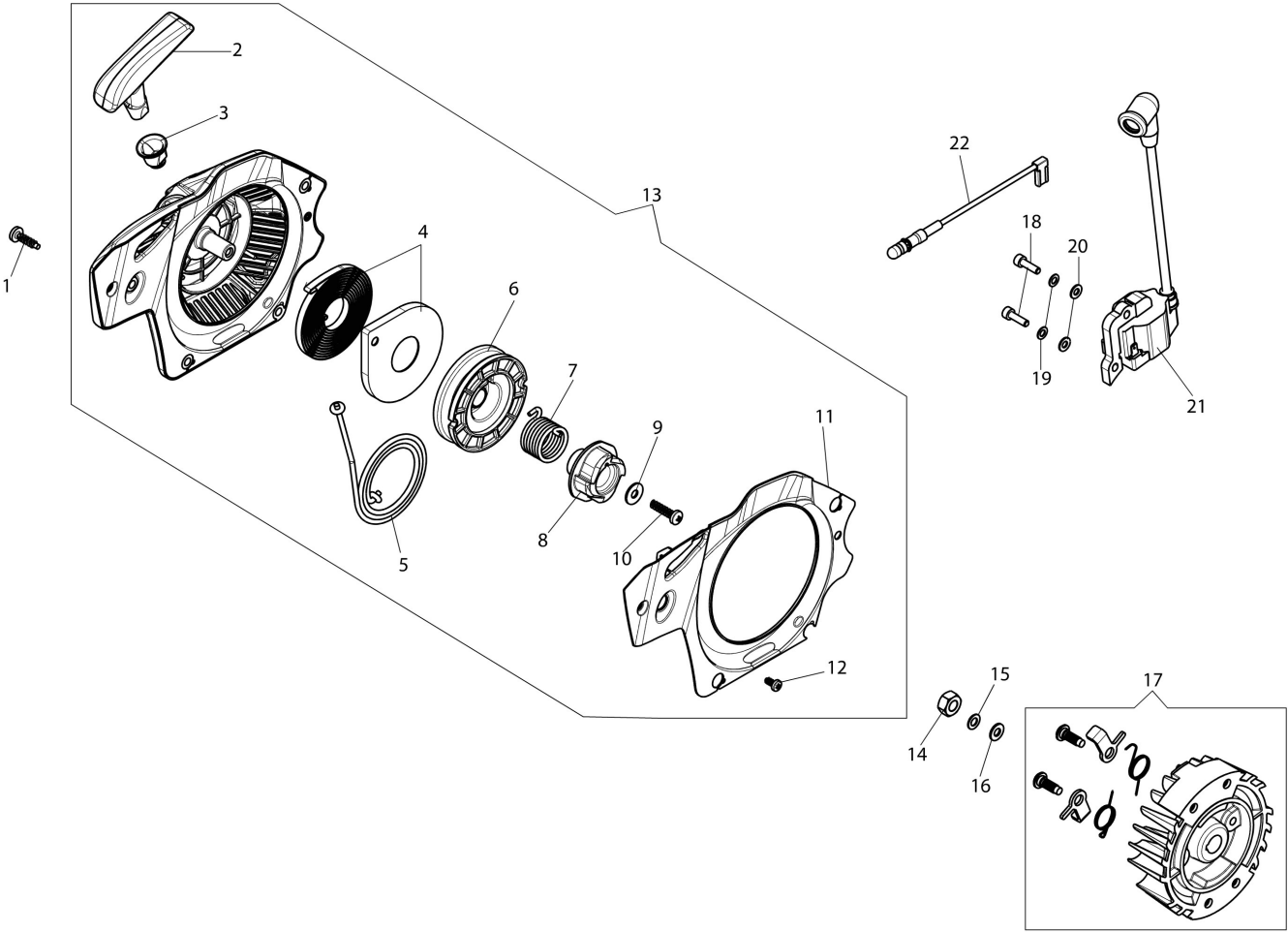


Illustration Ignition system

| Ref.Nu | Qty | Part number | Description | Validity from | Validity till | Notes | Bulletin |
|--------|-----|-------------|----------------|---------------|---------------|-------|----------|
| 1 | 4 | 3960115R | Screw | | | | |
| 2 | 1 | 50170017R | Starter handle | | | | |
| 3 | 1 | 094000038 | Bushing | | | | |
| 4 | 1 | 50310260 | Kit spring | | | | |
| 5 | 1 | 50070123R | Starter rope | | | | |
| 6 | 1 | 50310302R | Pulley | | | | |
| 7 | 1 | 50270231R | Spring | | | | |
| 8 | 1 | 50310301R | Sprocket | | | | |
| 9 | 1 | 094600054R | Washer | | | | |
| 10 | 1 | 3960164R | Screw | | | | |
| 11 | 1 | 50330069AR | Flange | | | | |
| 12 | 1 | 3960167R | Screw | | | | |
| 13 | 1 | 50332015R | Starter assy | | | | |
| 14 | 1 | 004000142R | Nut | | | | |
| 15 | 1 | 3916009R | Washer | | | | |
| 16 | 1 | 3833080R | Washer | | | | |
| 17 | 1 | 50330115AR | Flywheel | | | | |
| 18 | 2 | 3801087R | Screw | | | | |
| 19 | 2 | 006000315R | Washer | | | | |
| 20 | 2 | 3916004R | Washer | | | | |
| 21 | 1 | 2501022AR | Ignition coil | | | | |
| 22 | 1 | 50330027R | Cable | | | | |

Illustration Crankcase

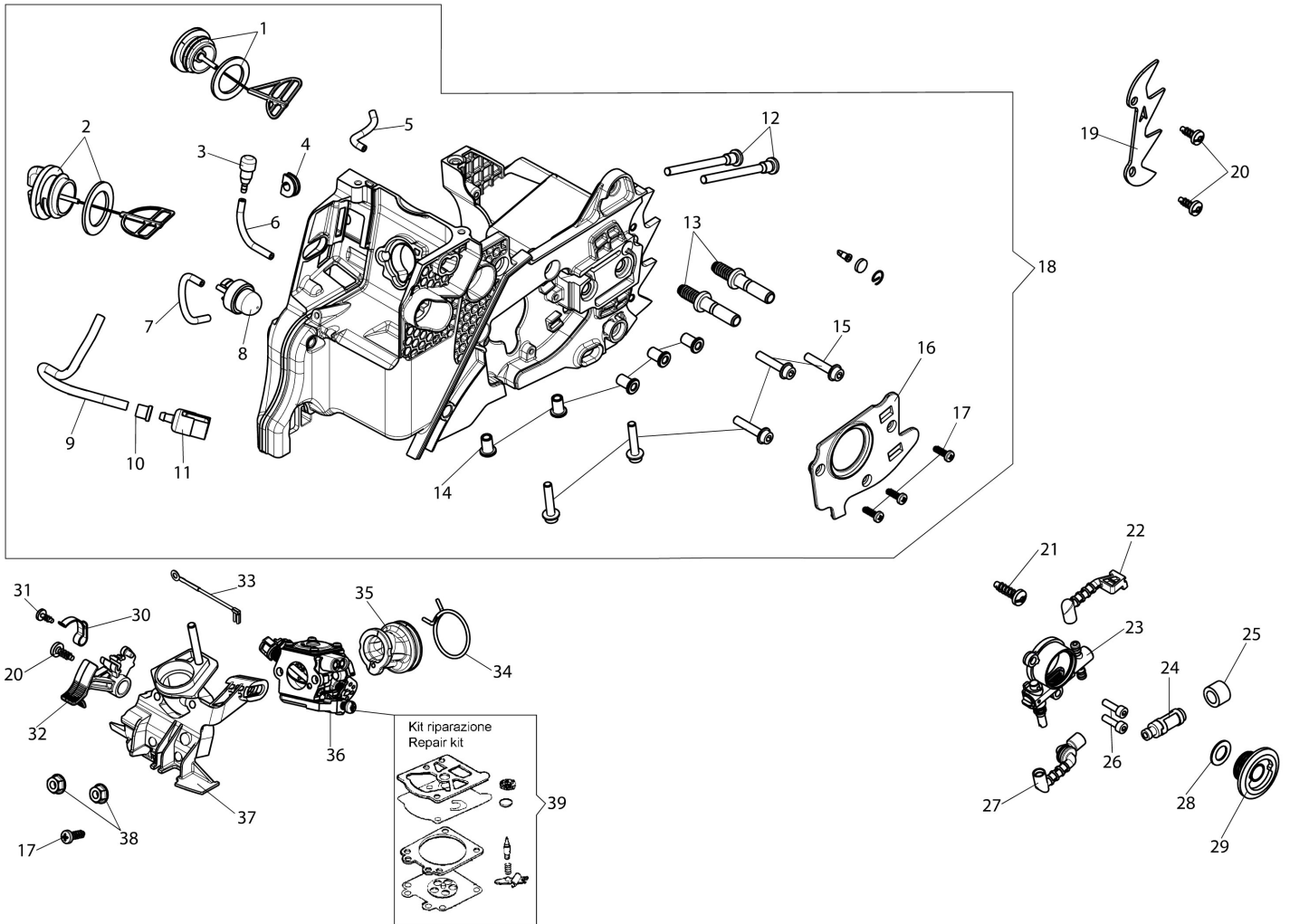


Illustration Crankcase

| Ref.Nu | Qty | Part number | Description | Validity from | Validity till | Notes | Bulletin |
|--------|-----|-------------|--------------------|---------------|---------------|-------|----------|
| 1 | 1 | 50310166AR | Oil cap | | | | |
| 2 | 2 | 50310165AR | Tank cap | | | | |
| 3 | 1 | 61070011AR | Breather valve | | | | |
| 4 | 1 | 005000347AR | Grommet | | | | |
| 5 | 1 | 50240067R | Tube | | | | |
| 6 | 1 | 61370552R | Tube | | | | |
| 7 | 1 | 50170321R | Tube | | | | |
| 8 | 1 | 2318817R | Air purge | | | | |
| 9 | 1 | 3073015R | Tube | | | | |
| 10 | 1 | 61110162BR | Bushing | | | | |
| 11 | 1 | 094600450R | Fuel filter | | | | |
| 12 | 2 | 50070067A | Tie rod | | | | |
| 13 | 2 | 50050052R | Stud | | | | |
| 14 | 5 | 50050067R | Spacer | | | | |
| 15 | 5 | 3860099R | Screw | | | | |
| 16 | 1 | 50330048AR | Oil pump cover | | | | |
| 17 | 3 | 3960161R | Screw | | | | |
| 18 | 1 | 50332013R | Crankcase assy | | | | |
| 19 | 1 | 50310142R | Spike | | | | |
| 20 | 2 | 3960070AR | Screw | | | | |
| 21 | 1 | 3960099R | Screw | | | | |
| 22 | 1 | 50330064R | Hose | | | | |
| 23 | 1 | 50330050R | Oil pump | | | | |
| 24 | 1 | 50310079R | Oil filter | | | | |
| 25 | 1 | 50310080R | Sponge | | | | |
| 26 | 2 | 3801087R | Screw | | | | |
| 27 | 1 | 50330063AR | Suction tube | | | | |
| 28 | 1 | 004400285 | Washer | | | | |
| 29 | 1 | 50330049R | Worm gear | | | | |
| 30 | 1 | 50240061R | Spring | | | | |
| 31 | 1 | 3960109AR | Screw | | | | |
| 32 | 1 | 50240060BR | Lever | | | | |
| 33 | 1 | 50330026R | Engine stop wire | | | | |
| 34 | 1 | 094600103 | Band | | | | |
| 35 | 1 | 50170010R | Manifold | | | | |
| 36 | 1 | 50240045R | Carburetor | | | | |
| 37 | 1 | 50330040AR | Air filter support | | | | |
| 38 | 2 | 3914003R | Nut | | | | |
| 39 | 1 | 2318340 | Repair kit | | | | |

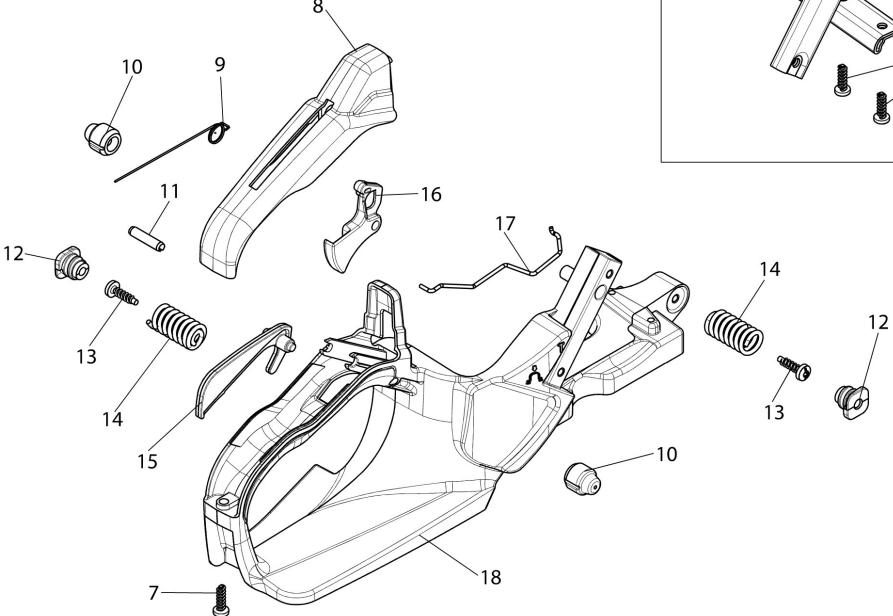
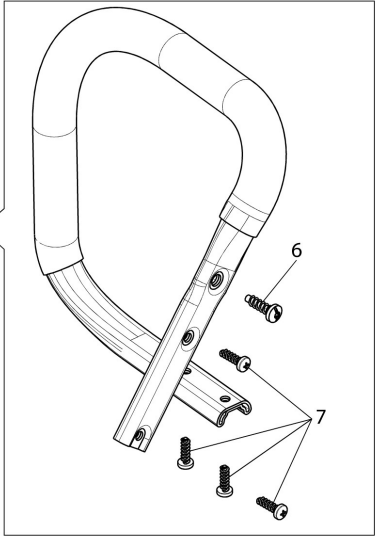
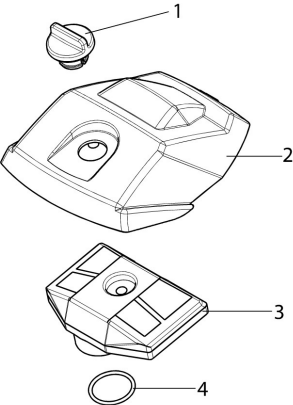


Illustration Tank

| Ref.Nu | Qty | Part number | Description | Validity from | Validity till | Notes | Bulletin |
|--------|-----|-------------|------------------|---------------|---------------|-------|----------|
| 1 | 1 | 50310037AR | Knob | | | | |
| 2 | 1 | 50330019R | Air filter cover | | | | |
| 3 | 1 | 50310157R | Air filter | | | | |
| 4 | 1 | 50310155R | Gasket | | | | |
| 5 | 1 | 50332014BR | Handle | | | | |
| 6 | 1 | 3960099R | Screw | | | | |
| 7 | 5 | 3960165R | Screw | | | | |
| 8 | 1 | 50330022AR | Cover | | | | |
| 9 | 1 | 50310091R | Spring | | | | |
| 10 | 2 | 50010061R | AV-mount | | | | |
| 11 | 1 | 3022039R | Locking sleeve | | | | |
| 12 | 2 | 50170034R | Support | | | | |
| 13 | 2 | 3960115R | Screw | | | | |
| 14 | 2 | 50050047AR | Spring | | | | |
| 15 | 1 | 50310090AR | Lever | | | | |
| 16 | 1 | 50310092AR | Throttle lever | | | | |
| 17 | 1 | 50330078R | Throttle rod | | | | |
| 18 | 1 | 50330021AR | Handle | | | | |

Illustration Chain cover

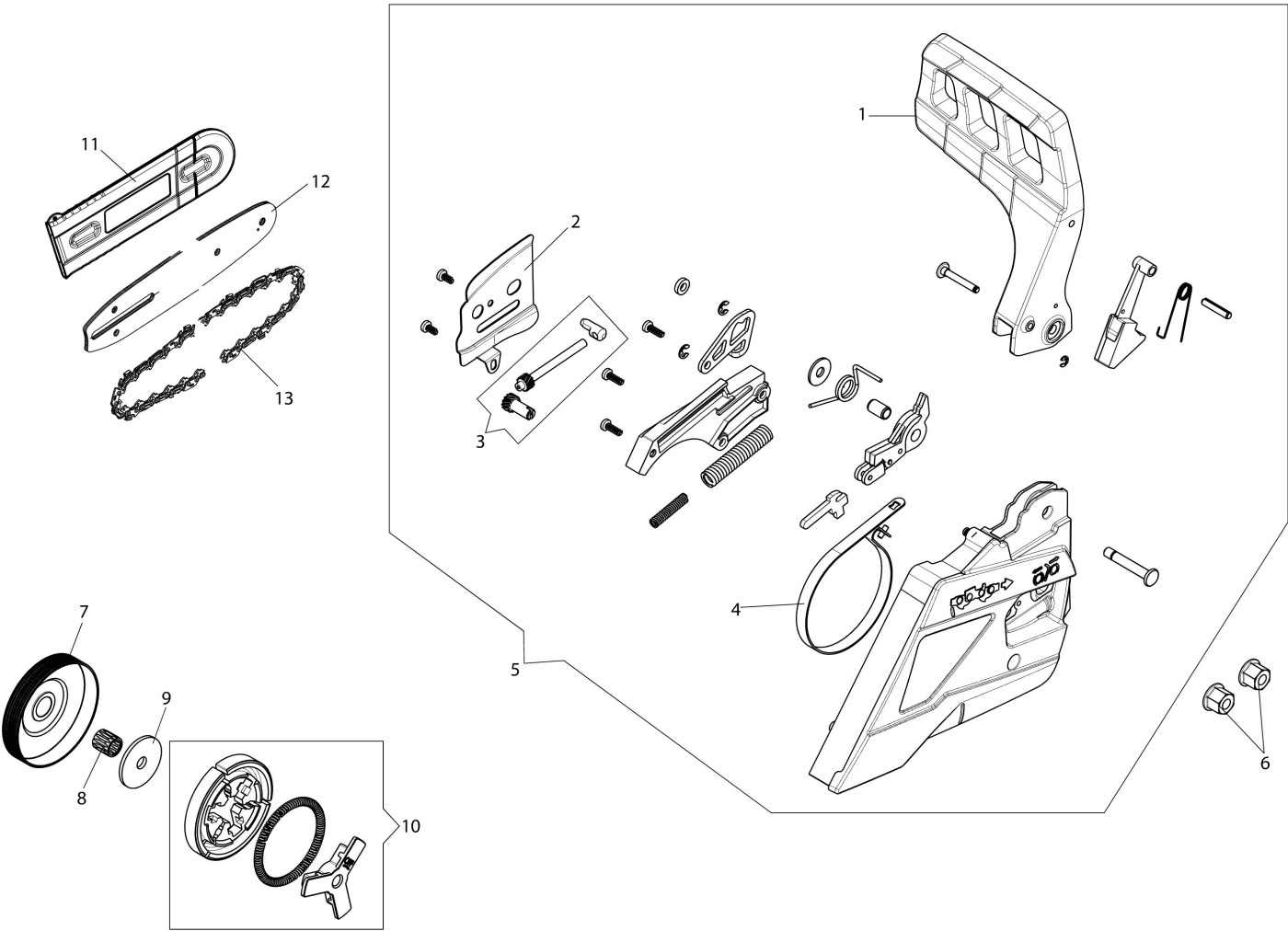


Illustration Chain cover

| Ref.Nu | Qty | Part number | Description | Validity from | Validity till | Notes | Bulletin |
|--------|-----|-------------|-----------------------------|---------------|---------------|-------|----------|
| 1 | 1 | 50330017BR | Guard | | | | |
| 2 | 1 | 50330024AR | Plate | | | | |
| 3 | 1 | 50310263 | Chain tensioner screw kit | | | | |
| 4 | 1 | 50310027R | Brake band | | | | |
| 5 | 1 | 50332001R | Chain cover assy | | | | |
| 6 | 2 | 50010148R | Nut | | | | |
| 7 | 1 | 50330034AR | Clutch drum | | | | |
| 8 | 1 | 50030372 | Roller cage | | | | |
| 9 | 1 | 50330035R | Washer | | | | |
| 10 | 1 | 50330130R | Clutch | | | | |
| 11 | 1 | 1144043R | Bar cover - 40 cm | | | | |
| 12 | 1 | 50030190R | Bar 14" - 35 cm | | | | |
| 12 | 1 | 50052012R | Bar 16" - 41 cm | | | | |
| 13 | 1 | 30629016A | Chain .3/8" x .050" (1,3mm) | | | | |
| 13 | 1 | 30629018A | Chain .3/8" x .050" (1,3mm) | | | | |