

iSC GmbH
Customer Service
Eschenstraße 6
94405 Landau/Isar

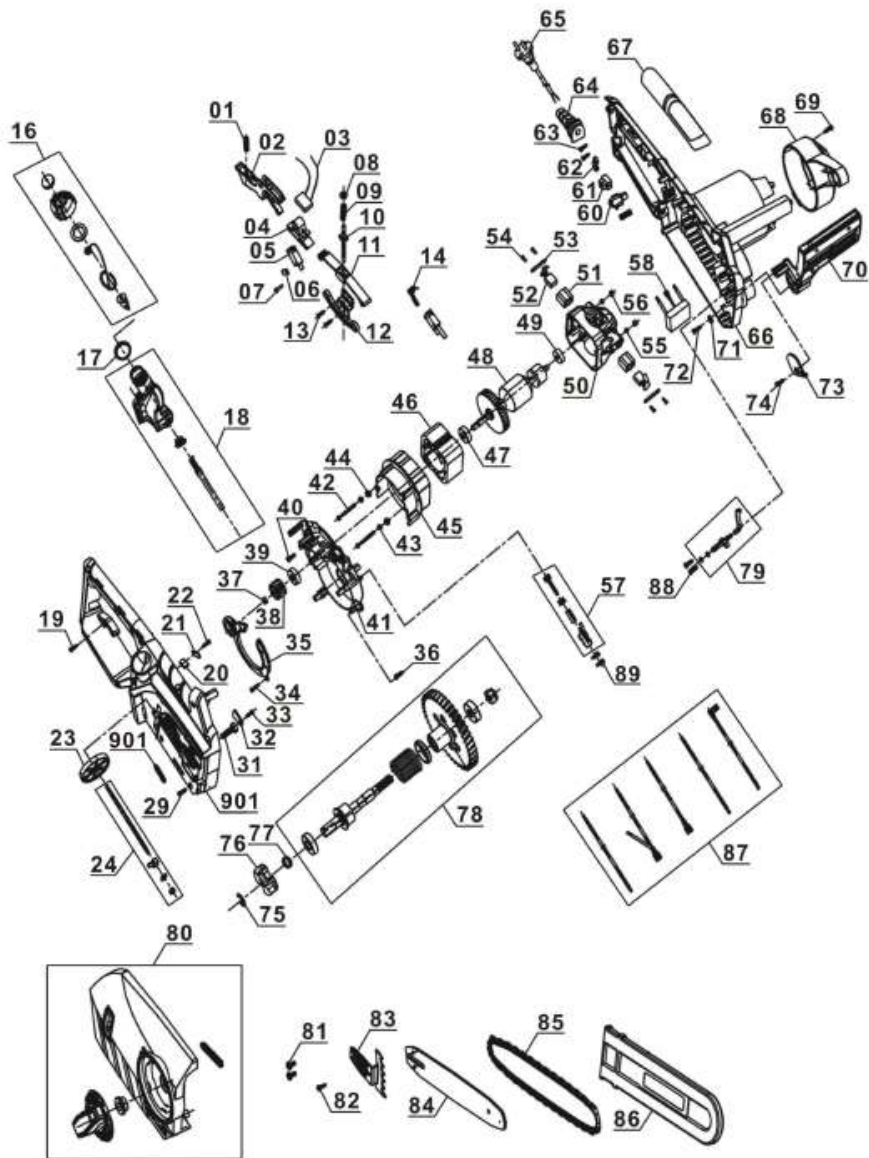
Telephone:
Email:

+49 9951 959 2019
service-de@einhell.com



GE-EC 2240

Article number: 4501740
Ident number: 11014



Spare parts

Pos	Art.	Ident number	Product Name	Pos	Art.	Ident number	Product Name
001	450174001001	00000	Button spring	072	450174001072	00000	Self tapping screw
002	450174001002	00000	Switch button	073	450174001073	00000	Connecting rod clamp
003	450174001003	00000	Capacitance	074	450174001074	00000	Self tapping screw
004	450174001004	00000	Intermediate connecting rod	075	450174001075	00000	Split washer
005	450174001005	00000	Microswitch	076	450174001076	00000	Sprocket
006	450174001006	00000	Clamp	077	450174001077	00000	Tensioning spring
007	450174001007	00000	Flange tapping screw	078	450174001078	00000	Output shaft assy'
008	450174001008	00000	Flat washer	079	450174001079	00000	The nozzle component
009	450174001009	00000	Brake lever spring	080	450174001080	00000	Adjust the end cover component
010	450174001010	00000	Brake bar	081	450174001081	00000	screw
011	450174001011	00000	link switch	082	450174001082	00000	Self tapping screw
012	450174001012	00000	Brake bar dead plate	083	450174001083	00000	Heat insulation washer
013	450174001013	00000	Self tapping screw	084	450174001084	00000	Guide bar
014	450174001014	00000	Brake spring	085	450174001085	00000	Chain saw
016	450174001016	00000	Oil box cap assy	086	450174001086	00000	Guide bar sleeve
017	450174001017	00000	The tank mouth sealing ring	087	450174001087	00000	Connecting wire assy.
018	450174001018	00000	Oil box assy'	088	450174001088	00000	Self tapping screw
019	450174001019	00000	Self tapping screw	089	450174001089	00000	Self tapping screw
020	450174001020	00000	The sponge The mat	901	450174001901	00010	Right housing
021	450174001021	00000	Clamp				
022	450174001022	00000	Flange tapping screw				
023	450174001023	00000	Adjusting knob				
024	450174001024	00000	Adjust lever assy'				
029	450174001029	00000	Self tapping screw				
031	450174001031	00000	Machine screw				
032	450174001032	00000	Clamp				
033	450174001033	00000	Self tapping screw				
034	450174001034	00000	Self tapping screw				
035	450174001035	00000	Dust shield				
036	450174001036	00000	Self tapping screw				
037	450174001037	00000	Special hexagonal nut				
038	450174001038	00000	Motor gear				
039	450174001039	00000	Motor gear bushing				
040	450174001040	00000	Self tapping screw				
041	450174001041	00000	Facing bar				
042	450174001042	00000	Stator screw				
043	450174001043	00000	Spring washer				
044	450174001044	00000	Flat gasket				
045	450174001045	00000	Wind screen				
046	450174001046	00000	Stator				
047	450174001047	00000	Bearing				
048	450174001048	00000	The rotor assembly				
049	450174001049	00000	Bearing				
050	450174001050	00000	Motor back support				
051	450174001051	00000	Brush holder				
052	450174001052	00000	Brush				
053	450174001053	00000	Brush holder clamp				
054	450174001054	00000	Self tapping screw				
055	450174001055	00000	Washer				
056	450174001056	00000	Hexagon nut				
057	450174001057	00000	Oil pump assy				
058	450174001058	00000	Soft start				
060	450174001060	00000	Lock off button				
061	450174001061	00000	Connector				
062	450174001062	00000	Cable clamp				
063	450174001063	00000	Self tapping screw				
064	450174001064	00000	Cable sheath				
065	450174001065	00000	Power line				
066	450174001066	00000	Left housing				
067	450174001067	00000	Soft grip				
068	450174001068	00000	Motor rear cover				
069	450174001069	00000	Self tapping screw				
070	450174001070	00000	Preventer plate				
071	450174001071	00000	Washer				

Right housing

Article number: 450174001901
Ident number: 00010

Spare parts

Pos	Art.	Ident number	Product Name
028	450174001028	00000	Oil-out seal ring
030	450174001030	00000	Right housing