

BSS-1415-W
91272263

GB	Electric vacuum cleaner	4
RU	Пылесос электрический	27

1



230 V
50 Hz



1400
W



2520
L/min



15 L



10
kg

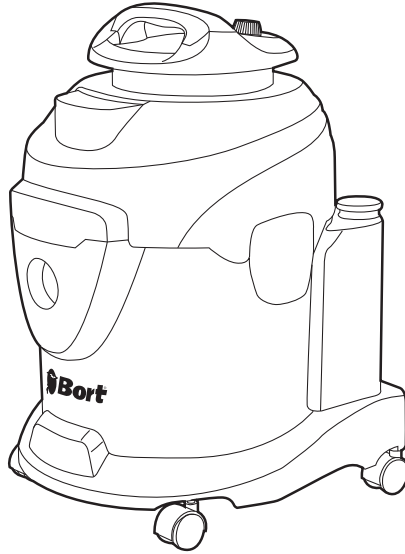


Blower
function



Wet
and dry
cleaning

2



Electric vacuum cleaner

Intended Use

The vacuum is mainly for home use, which has multi functions of wet & dry + carpet cleaner with rear blow function. It can be operated easily and safely. To avoid water/solution bubble to goes into the motor house, the floater is designed to protect the motor. Detachable solution tank has big capacity and it's also can be washed conveniently.

Technical specifications (fig. 1)

GENERAL POWER TOOL SAFETY WARNINGS



Read all safety warnings and all instructions.

Failure to follow the warnings and instructions may result in electric shock, fire and/or serious injury.

Save all warnings and instructions for future reference.

The term "power tool" in the warnings refers to your mainsoperated (corded) power tool or battery-operated (cordless) power tool.

Work area safety

- Keep work area clean and well lit. Cluttered or dark areas invite accidents.
- Do not operate power tools in explosive atmospheres, such as in the presence of flammable liquids, gases or dust. Power tools create sparks which may ignite the dust or fumes.
- Keep children and bystanders away while operating a power tool. Distractions can cause you to lose control.

Electrical safety

- Power tool plugs must match the outlet. Never modify the plug in any way. Do not use any adapter plugs with earthed (grounded) power tools. Unmodified plugs and matching outlets will reduce risk of electric shock.
- Avoid body contact with earthed or grounded surfaces, such as pipes, radiators, ranges and refrigerators. There is an increased risk of electric shock if your body is earthed or grounded.
- Do not expose power tools to rain or wet conditions. Water entering a power tool will increase the risk of electric shock.
- Do not abuse the cord. Never use the cord for carrying, pulling or unplugging the power tool. Keep cord away from heat, oil, sharp edges and moving parts. Damaged or entangled cords increase the risk of electric shock.
- When operating a power tool outdoors, use an extension cord suitable for outdoor use. Use of a cord suitable for outdoor use reduces the risk of electric shock.
- If operating a power tool in a damp location is unavoidable, use a residual current device (RCD) protected supply. Use of an RCD reduces the risk of electric shock.

Personal safety

- Stay alert, watch what you are doing and use common sense when operating a power tool. Do not use a power tool while you are tired or under the influence of drugs, alcohol or medication. A moment of inattention while operating power tools may result in serious personal injury.
- Use personal protective equipment. Always wear eye protection. Protective equipment such as dust mask, non-skid safety shoes, hard hat, or hearing protection used for appropriate conditions will reduce personal injuries.
- Prevent unintentional starting. Ensure the switch is in the off-position before connecting to power source and/or battery pack, picking up or carrying the tool. Carrying power tools with your finger on the switch or energising power tools that have the switch on invites accidents.
- Remove any adjusting key or wrench before turning the power tool on. A wrench or a key left attached to a rotating part of the power tool may result in personal injury.
- Do not overreach. Keep proper footing and balance at all times. This enables better control of the power tool in unexpected situations.
- Dress properly. Do not wear loose clothing or jewellery. Keep your hair, clothing and gloves away from moving parts. Loose clothes, jewellery or long hair can be caught in moving parts.
- If devices are provided for the connection of dust extraction and collection facilities, ensure these are connected and properly used. Use of dust collection can reduce dust-related hazards.

Power tool use and care

- Do not force the power tool. Use the correct power tool for your application. The correct power tool will do the job better and safer at the rate for which it was designed.

-
- Do not use the power tool if the switch does not turn it on and off. Any power tool that cannot be controlled with the switch is dangerous and must be repaired.
 - Disconnect the plug from the power source and/or the battery pack from the power tool before making any adjustments, changing accessories, or storing power tools. Such preventive safety measures reduce the risk of starting the power tool accidentally.
 - Store idle power tools out of the reach of children and do not allow persons unfamiliar with the power tool or these instructions to operate the power tool. Power tools are dangerous in the hands of untrained users.
 - Maintain power tools. Check for misalignment or binding of moving parts, breakage of parts and any other condition that may affect the power tool's operation. If damaged, have the power tool repaired before use. Many accidents are caused by poorly maintained power tools.
 - Keep cutting tools sharp and clean. Properly maintained cutting tools with sharp cutting edges are less likely to bind and are easier to control.
 - Use the power tool, accessories and tool bits etc. in accordance with these instructions, taking into account the working conditions and the work to be performed. Use of the power tool for operations different from those intended could result in a hazardous situation.

Service

Have your power tool serviced by a qualified repair person using only identical replacement parts. This will ensure that the safety of the power tool is maintained.

SAFETY WARNINGS FOR VACUUM CLEANERS

This vacuum cleaner complies with the generally accepted standards of technology and relevant safety regulations.

- Always observe the information on the rating plate when using the vacuum cleaner and connecting to the power supply.
- Never use the vacuum cleaner without a dust bag fitted.

=> This can damage the appliance.

- The appliance may be used by children over the age of 8 years and by persons with reduced physical, sensory or mental capacity or by persons with a lack of experience or knowledge if they are supervised or have been instructed on the safe use of the appliance and they have understood the potential dangers of using the appliance.
- Children must never play with the appliance
- Cleaning and user maintenance must never be carried out by children without supervision.

The vacuum cleaner may not be used for:

- cleaning persons or animals
- vacuuming up:
 - hazardous, sharp-edged, hot or red hot substances.
 - damp or liquid substances
 - highly flammable or explosive substances and gases
 - ash, soot from tiled stoves and central heating systems
 - toner dust from printers and copiers.
- Keep suction away from your head when using the handle, nozzles or pipe.
 - => Risk of injury.
- Stand the appliance on a firm, secure surface when vacuuming.
- When vacuuming stairs, the appliance must always be lower down than you.
- In the following cases, stop using the appliance immediately and contact the after-sales service:
 - if the mains connection cable is damaged.
 - if you have accidentally vacuumed up some liquid or liquid has entered the inside of the appliance
 - if the appliance has been dropped.
- Do not use the power cord to carry the vacuum cleaner.
- Fully extend the power cord when using the vacuum cleaner continuously for several hours.
- When disconnecting the appliance from the mains, pull on the plug, not the power cord.
- Do not pull the power cord around sharp corners or allow it to become trapped.
- Unplug the power cord from the mains before carrying out any work on the vacuum cleaner or its accessories.
- Do not use the vacuum cleaner if it is damaged. Unplug the power cord from the mains if a fault is detected.
- For safety reasons, only authorised after-sales service personnel are permitted to carry out repairs and fit replacement parts to the vacuum cleaner.
- Protect the vacuum cleaner from outside weather conditions, moisture and sources of heat.
- The vacuum cleaner is not suitable for use on building sites. => Vacuuming up building rubble could damage the appliance.
- Switch off the appliance when it is not in use.
- At the end of its life, the appliance should be rendered unusable, then disposed of in an appropriate manner.
- Plastic bags and films must be kept out of the reach of children before disposal (risk of suffocation).
- Do not pour any flammable substances or substances containing alcohol onto the filters (filter bag, motor protective filter, exhaust filter, etc.).

Caution

1. The vacuum has multi functions, please read the manual carefully before operating and select suitable accessories for different cleaning purposes.
2. Don't leave when the vacuum is running. Please power off and take off the plug after the cleaning.
3. Home use and indoor use only.
4. The vacuum is not suitable for children.
5. Only supplied accessories can be used.
6. Any damage, please contact after sales office for professional service.
7. Check the suction hose if any blockage before operation.
8. Please power off the vacuum immediately if any accidents.
9. Make sure the filtrations are fixed correctly before vacuuming.

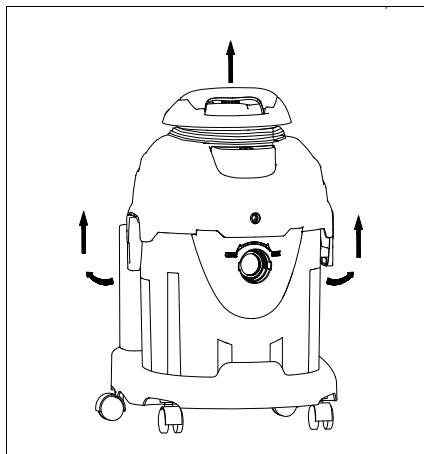
Cleaning operation

Carpet cleaner version:

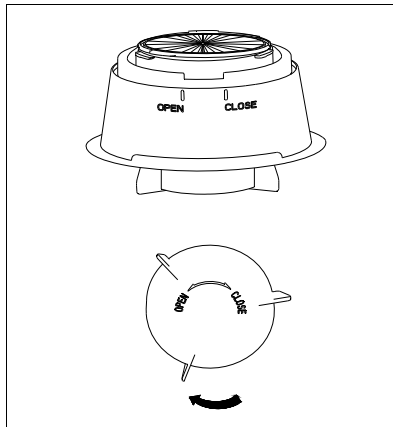
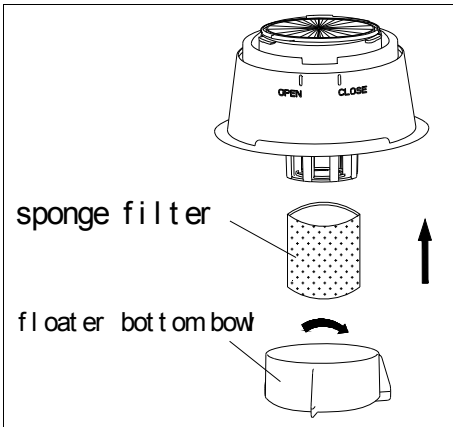
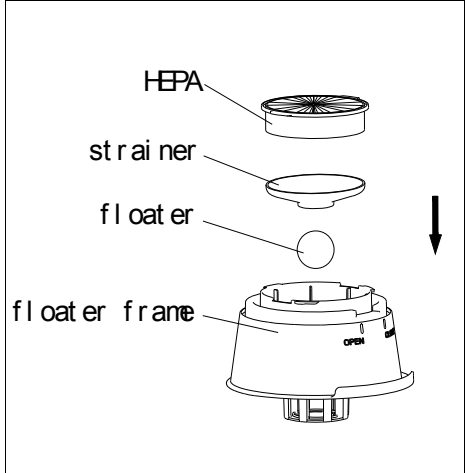
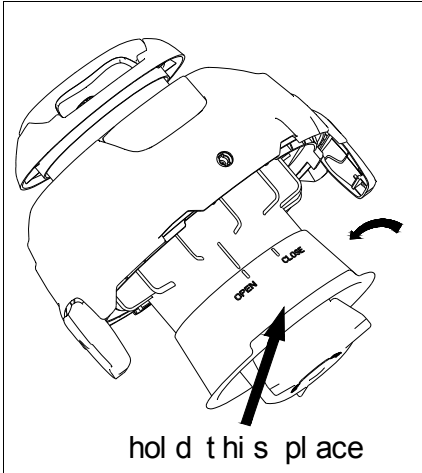
1. Remove the dust bag.
2. Don't shake the vacuum hardly. Use on flat surface.
3. Stop the vacuum immediately if any water or solution bubble sprays out. Check if too much water or solution is collected in. Clean the water tank and floater assembly.
4. Only low bubble or no bubble solution can be used.
5. Solution tank capacity is about 3.5L.
6. Full tank solution can last working for 20-25 minutes. Please care about the solution level.

Operation process:

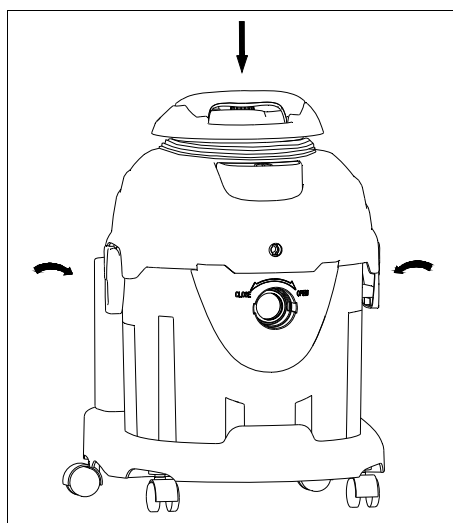
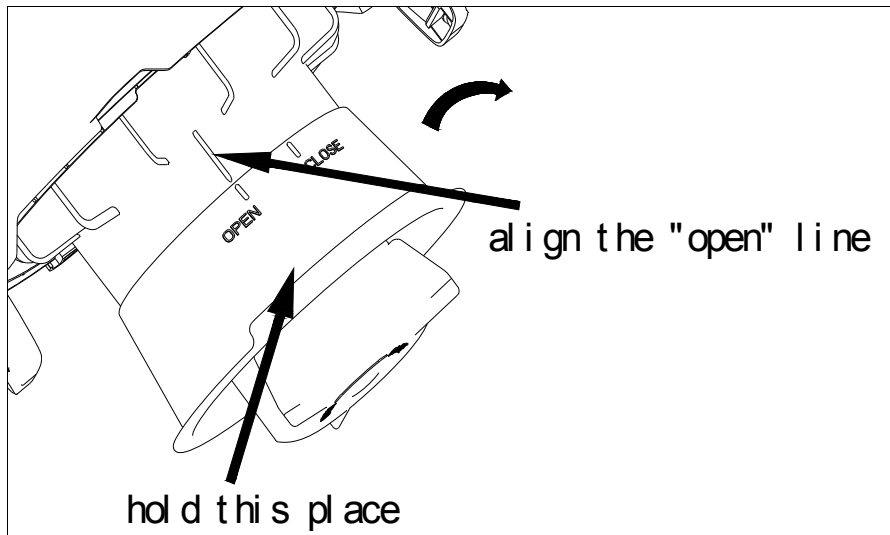
1. Release tank buckle, take out the top cover and remove the dust bag.



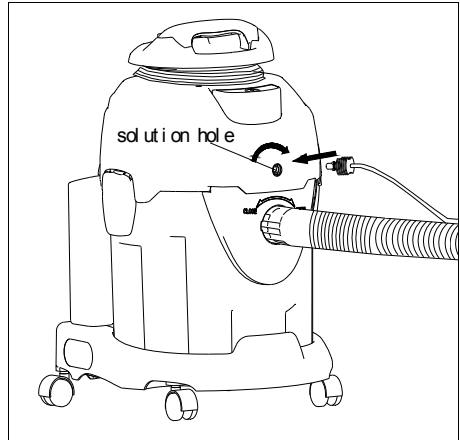
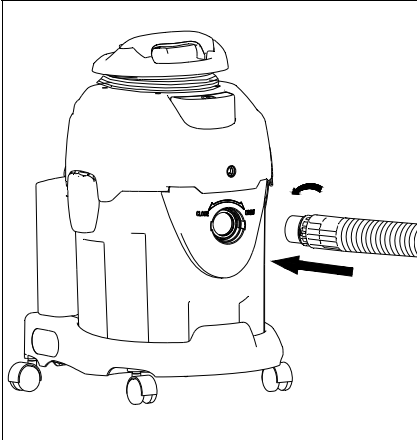
2. Hold the top hand, take off the floater frame as per direction instruction, check the floater frame, strainer, filter, floater bottom, HEPA and check whether all are fixed in right position.



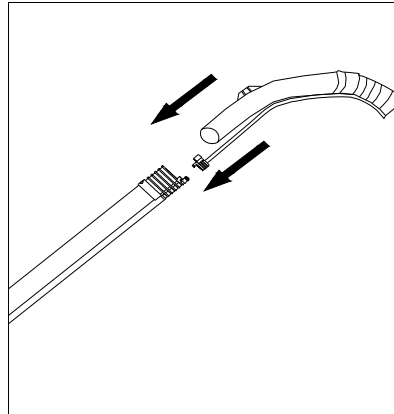
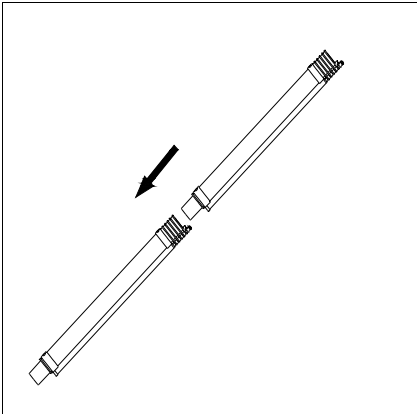
3. Assemble the floater frame according to direction instruction. Put the top onto the water tank, fix the tank buckle.



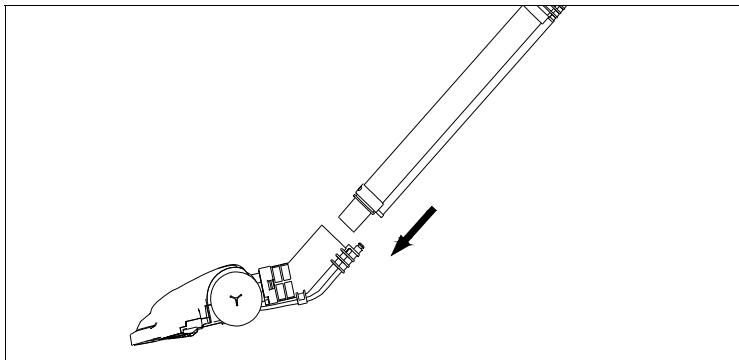
-
4. Insert the main hose adapter, rotate according to direction instruction and fix firmly. Then fix the front solution nozzle in anticlockwise.



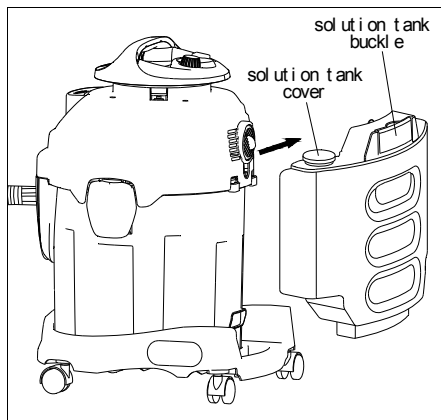
5. Connect two parts aluminum tubes together with the solution nozzles.



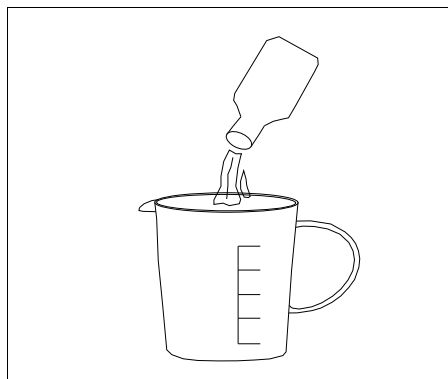
-
6. Connect the solution/water floor brush/solution nozzle with the aluminum tube/solution nozzle.

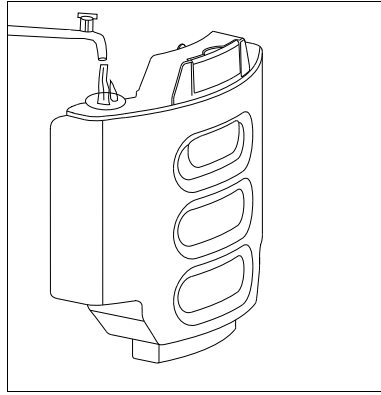
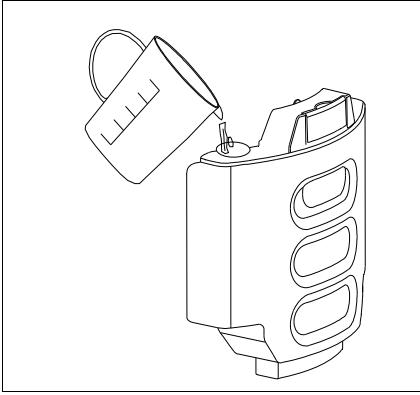


7. Release solution tank buckle and take off the solution tank. Read the solution IM and fill the solution and water in.

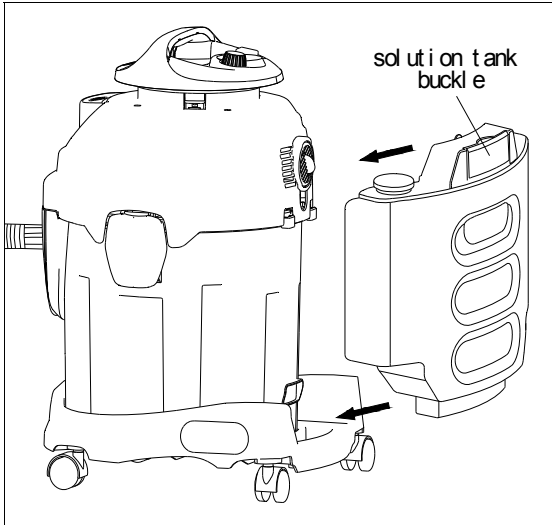


8.

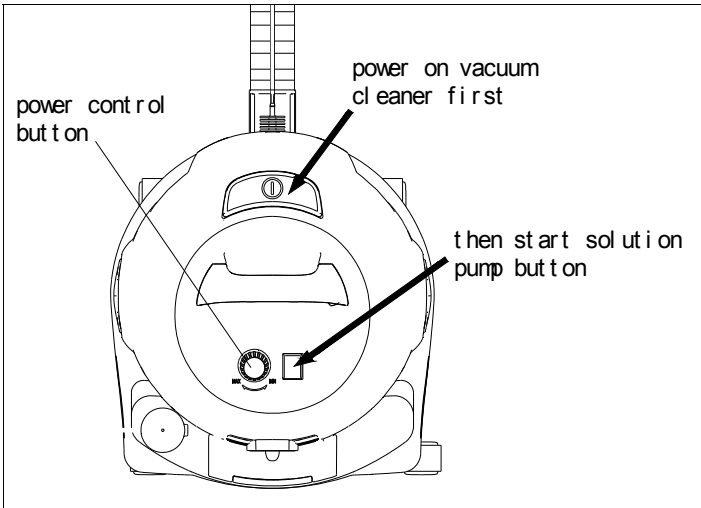
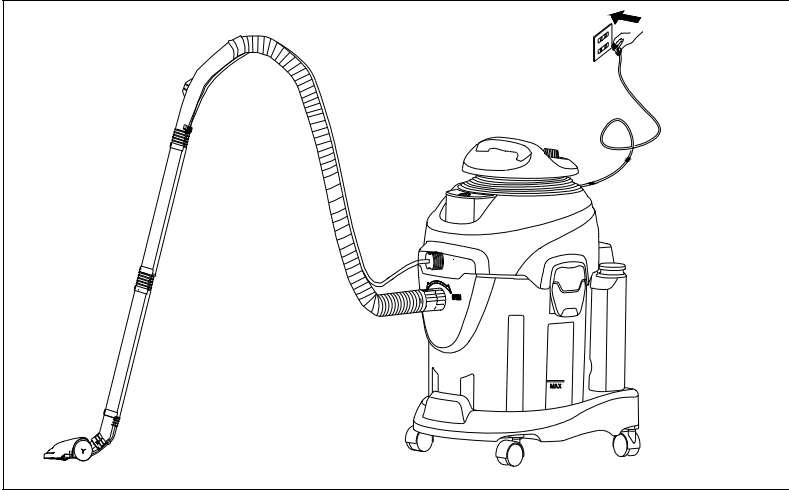




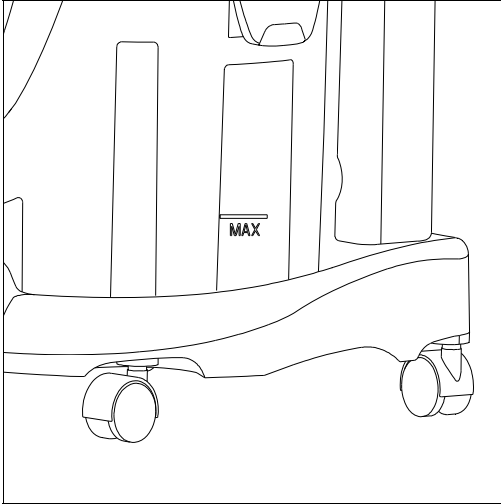
9. Park the solution tank onto the vacuum bottom.



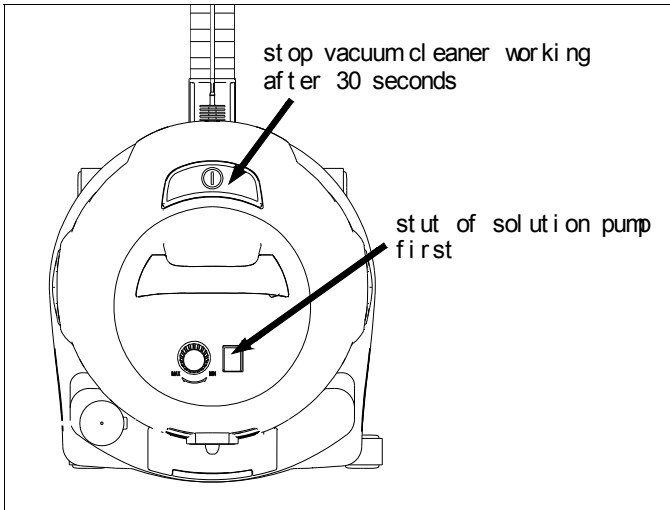
10. Plug and power on the vacuum first, then switch on solution pump. Power is adjustable.



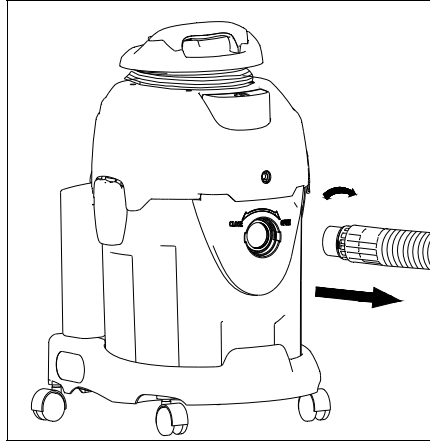
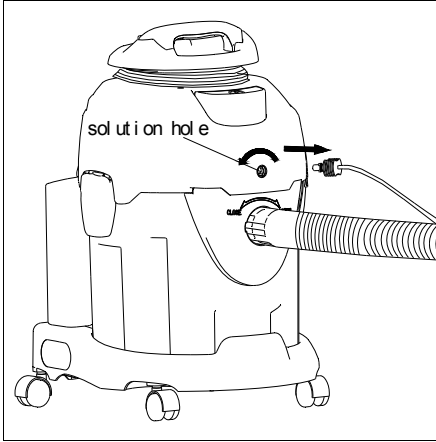
11. When vacuuming, check if solution pump working, solution speed, floater protection, water/solution bubble level (no exceeding the MAX line)



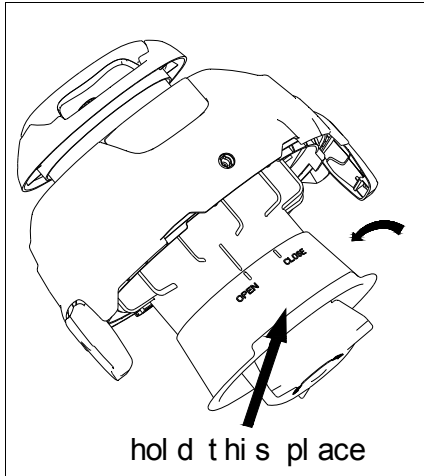
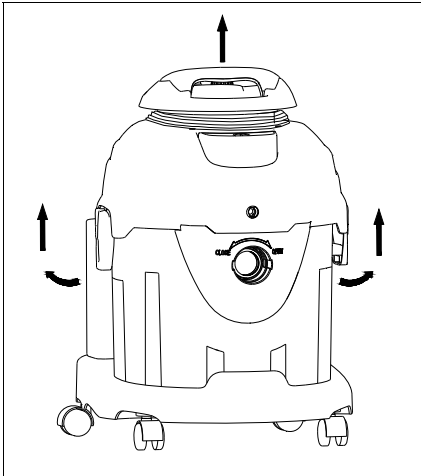
12. Full solution tank can last 20-25 minutes working. Check often the solution level as per the tank scale. Power off the pump for 30 seconds before switching off the vacuum.



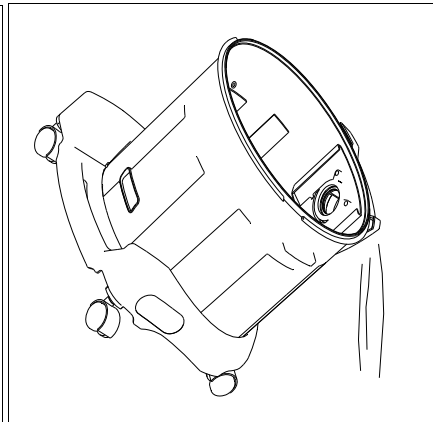
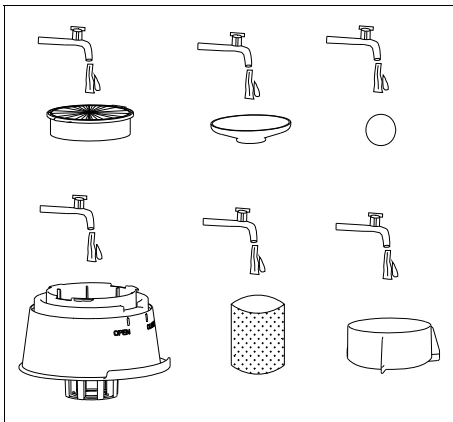
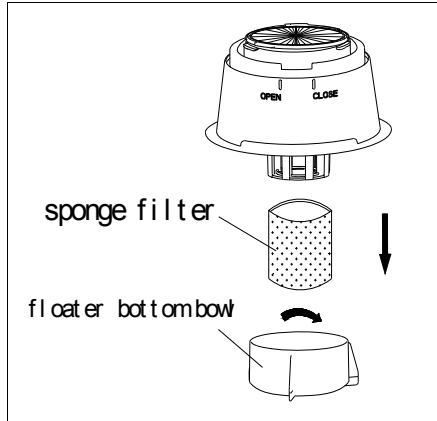
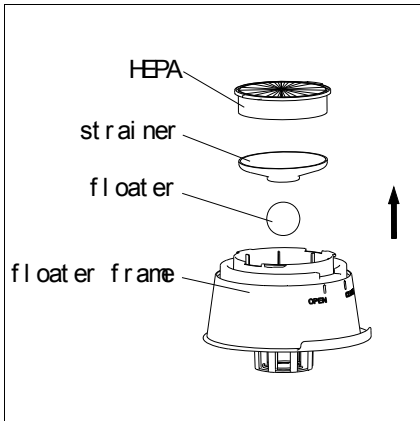
13. After vacuuming, take out the solution nozzles and solution tank for cleaning.



14. Take out the top vacuum part, hold the handle and take off the floater frame.

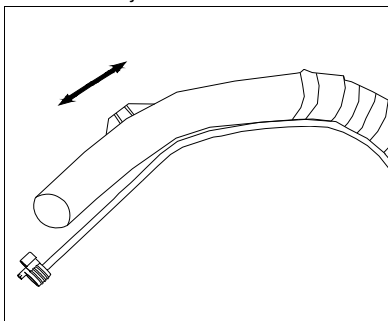


15. Take out the HEPA, strainer and floater, take off the floater bottom anticlockwise. Clean the water in the floater bottom if any. Wash the sponge filter and HEPA, then dry in the sunshine for next use. Wash the floater assembly and water tank.

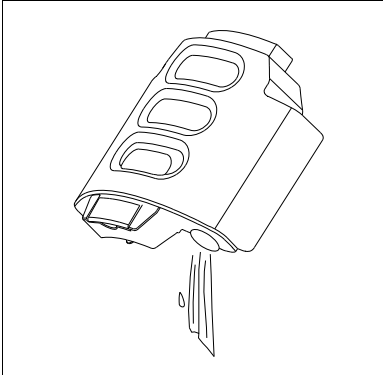


16. Once floater is sucked up to the top, power off the machine and clean the floater frame, filters and water tank before next use.

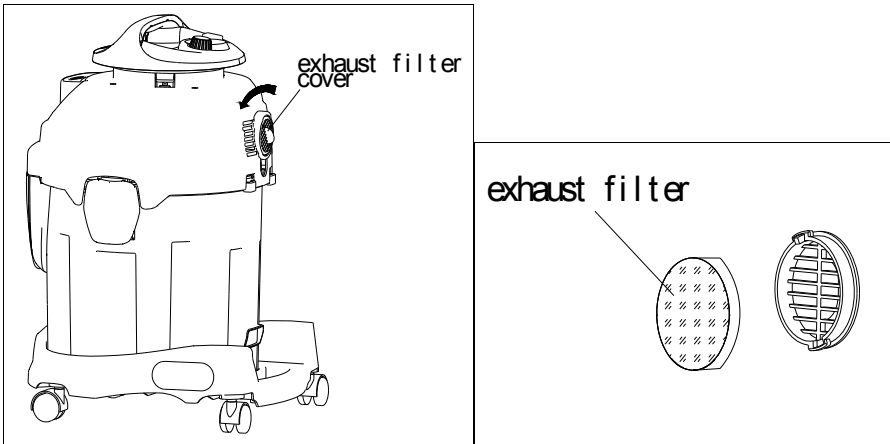
17. Airflow adjustable on hose handle.



18. Clean away the balance solution after cleaning is finished.



19. Take off the rear blow window and clean the exhaust filter.



20. Disassemble all the accessories from the machine after use. Clean and dry for next use.

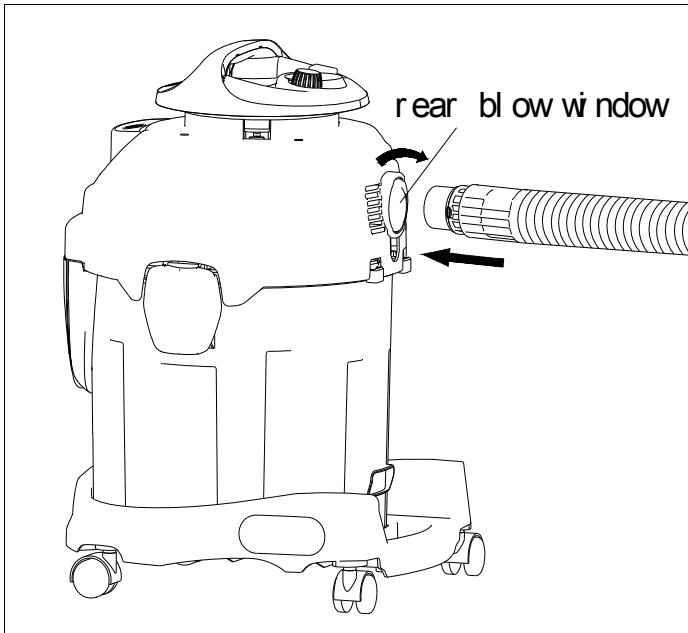
Rear blow function:

Caution: Don't switch on solution pump to avoid pump overheating.

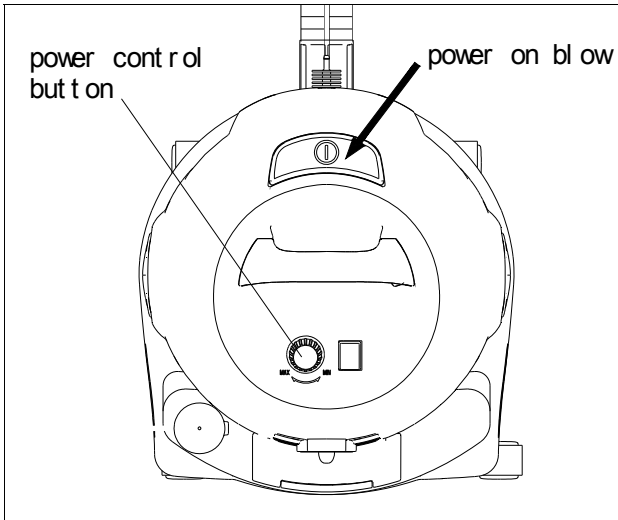
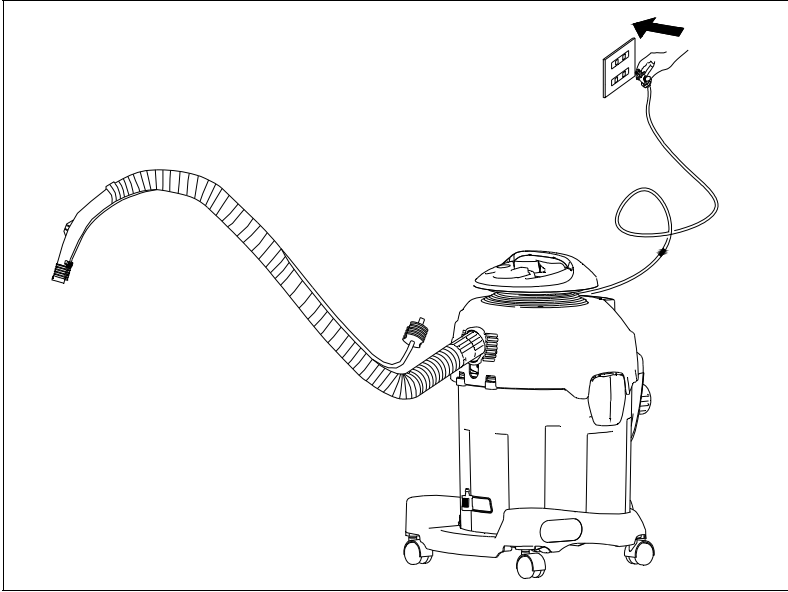
1. Take out solution tank and take off exhaust filter cover.



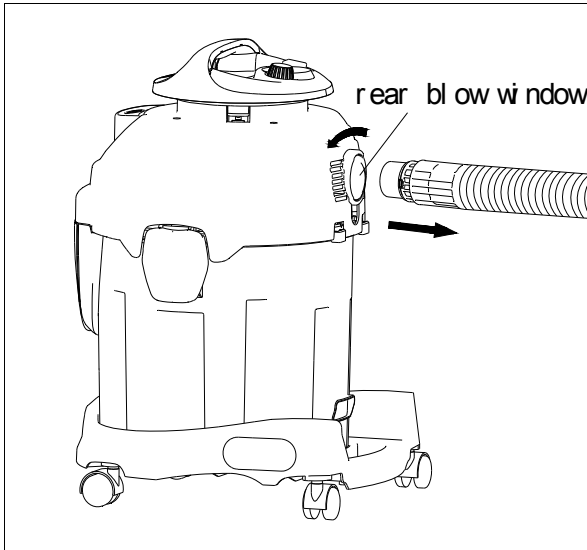
2. Fix the hose in.



3. Plug and switch on the machine for blowing.



4. Take out the hose and fix the exhaust filter cover after use.

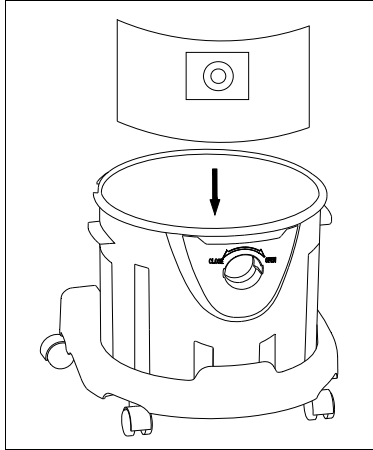
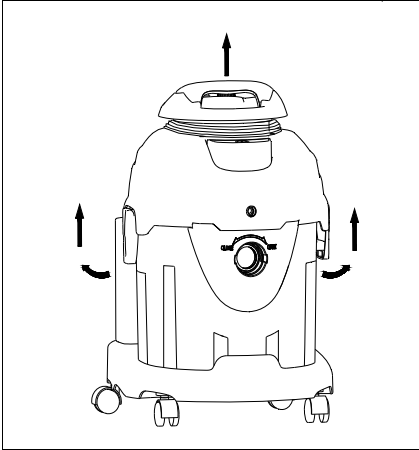


Wet & Dry vacuum caution:

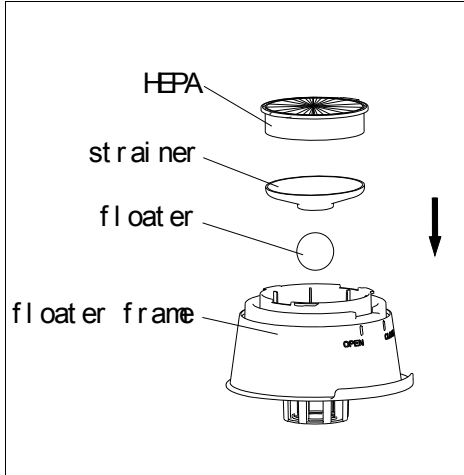
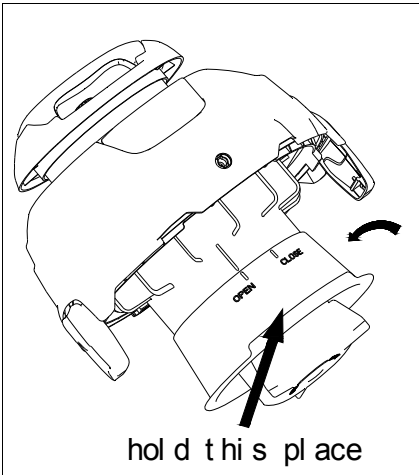
1. Don't switch on solution pump.
2. Better take off the solution tank.
3. Don't shake the vacuum hardly. Use on flat surface.
4. Stop the vacuum immediately if any water sprays out. Check if too much water is collected in. Clean the water tank and floater assembly.
5. Change the dust bag if it's broken.

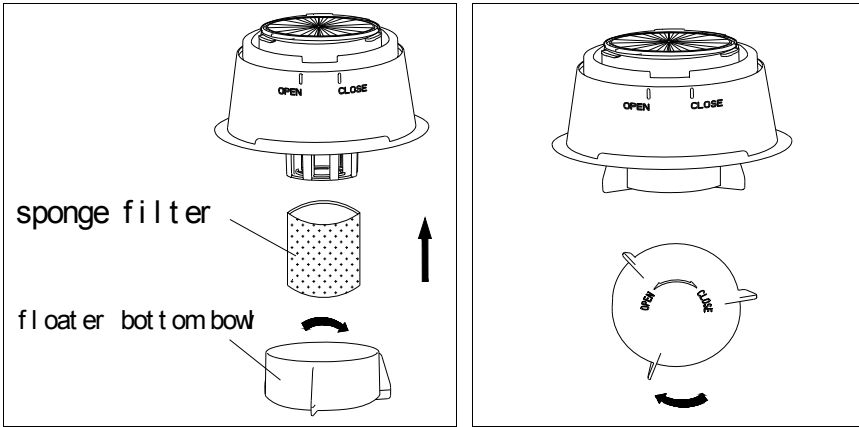
Wet & Dry vacuum instruction:

1. Take out top vacuum part and fix the dust bag.

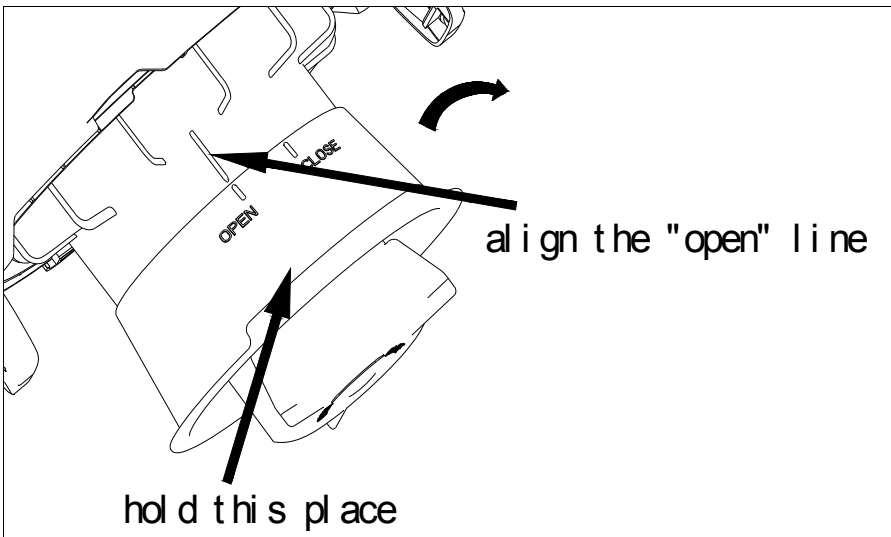


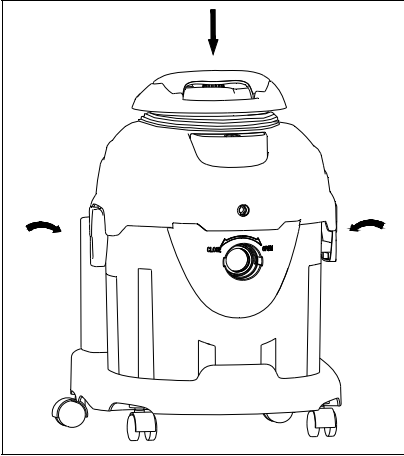
2. Hold the top hand, take off the floater as per direction instruction, check the floater frame, strainer, filter, floater bottom, HEPA and check whether all are fixed in right position.



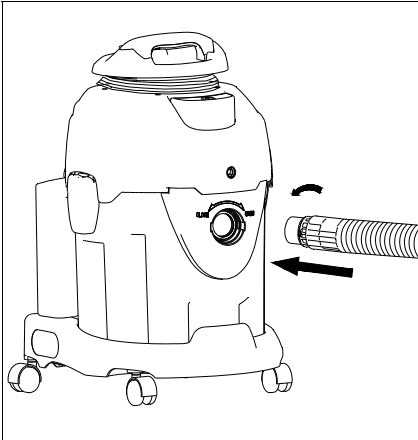


3. Assemble the float frame according to direction instruction. Put the top onto the water tank, fix the tank buckle

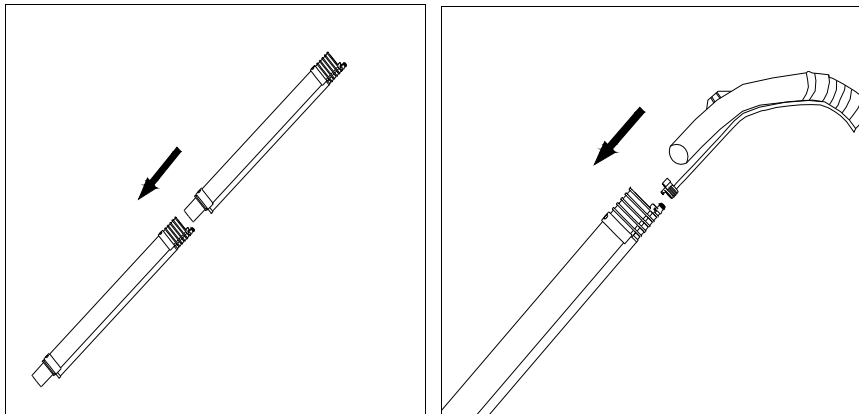




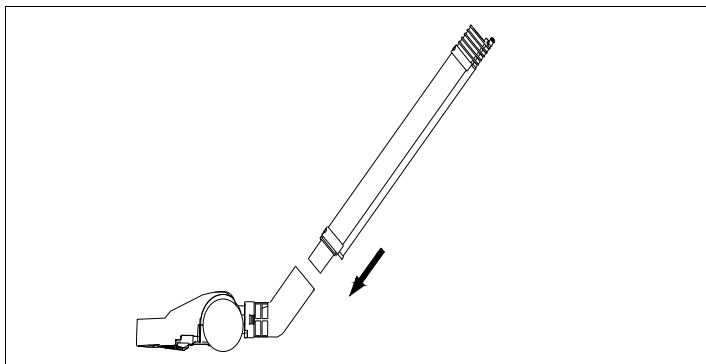
4. Connect the hose onto the vacuum main suction hole.



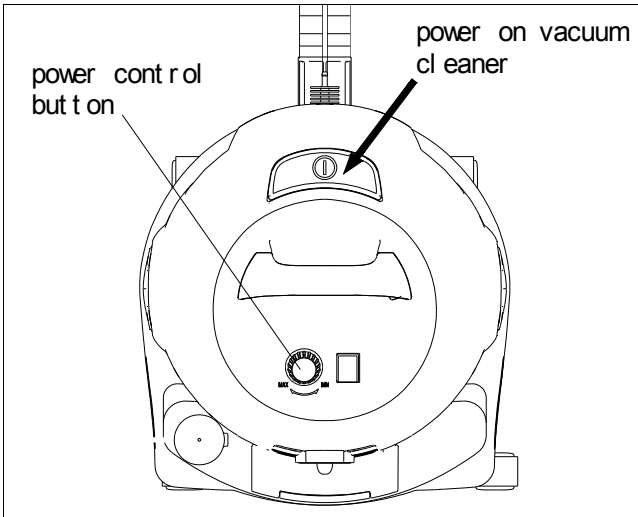
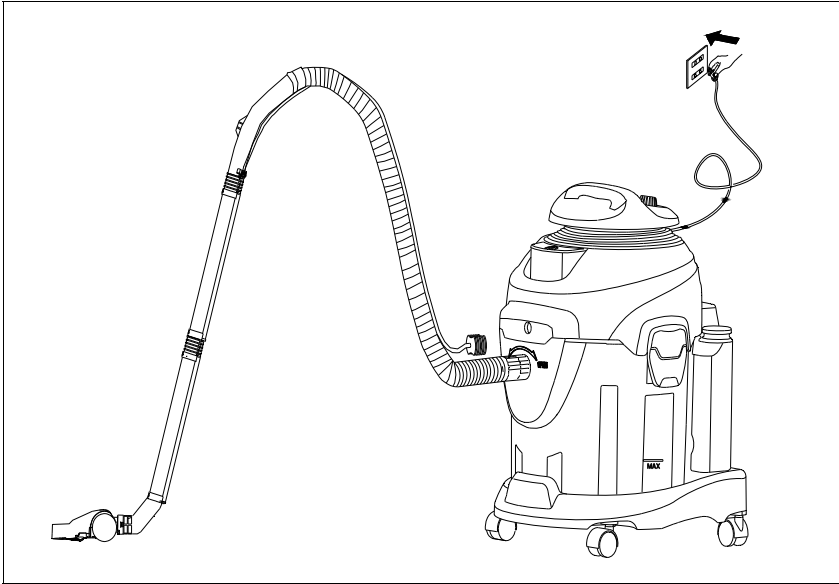
5. Connect two parts aluminum tubes with the ose.



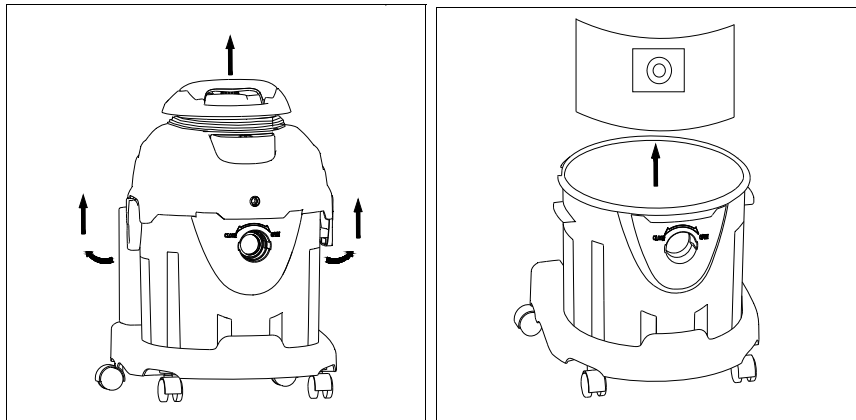
6. Connect the floor brush with the tube.



7. Plug and switch on the machine.



8. Take out the bag and clean the dust tank.



9. Clean and wash the tank.

10. Take out the HEPA, strainer and floater, take off the floater bottom anticlockwise. Clean the water in the floater bottom if any. Wash the sponge filter and HEPA, then dry in the sunshine for next use. Wash the floater assembly and water tank.

11. Once floater is sucked up to the top, power off the machine and clean the floater frame, filters and water tank before next use.

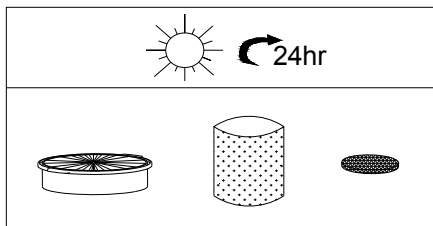
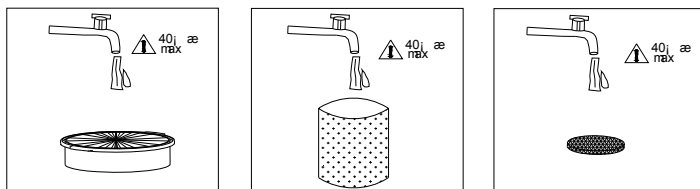
12. Water squeegee or crevice tool is available for water cleaning.

13. Mind the MAX water level.

14. Clean the filters often.

Maintenance

1. Clean the vacuum parts, accessories and bag after each use.
2. Clean the filters often. Wash and dry in the sunshine.



3. Park the cord on the machine after use.

MAINTENANCE AND CLEANING



Make sure that the machine is not live when carrying out maintenance work on the motor.

- Regularly clean the machine housing with a soft cloth, preferably after each use. Keep the ventilation slots free from dust and dirt. If the dirt does not come off use a soft cloth moistened with soapy water. Never use solvents such as petrol, alcohol, ammonia water, etc. These solvents may damage the plastic parts.
- Should a fault occur, e.g. after wear of a part, please contact your local BORT GLOBAL LIMITED dealer.

DISPOSAL



Discarded electric appliances are recyclable and should not be discarded in the domestic waste! Please actively support us in conserving resources and protecting the environment by returning this appliance to the collection centres (if available).

In order to prevent the machine from damage during transport, it is delivered in a sturdy packaging. Most of the packaging materials can be recycled. Take these materials to the appropriate recycling locations. Take your unwanted machines to your local BORT GLOBAL LIMITED dealer. Here they will be disposed of in an environmentally safe way.

Noise/Vibration Information

Measured in accordance with EN 60745-2-11 the sound pressure level of this tool is 89 dB(A) and the sound power level is 101,1 dB(A) (standard deviation: 3 dB), and the vibration is 7,9 m/s² (hand-arm method).

Declaration of Conformity

We declare under our sole responsibility that this product is in conformity with the following standards or standardized documents: EN 55014-1, EN 55014-2, EN 61000-3-2, EN 61000-3-3, EN 60335-2-2, EN 60335-1, EN 62233, in accordance with the regulations 2006/95/EC, 2004/108/EC.

Пылесос электрический

Назначение

- Пылесос BSS-1415-W предназначен для домашнего использования. Пылесос позволяет проводить не только сухую и влажную уборку, но и проводить чистку ковровых покрытий моющими средствами, кроме того он имеет функцию выдува. Пользоваться пылесосом просто и безопасно. Для исключения попадания воды и раствора в мотор, имеется поплавковый клапан. Съёмный резервуар для раствора имеет большую емкость, и его также можно мыть удобно.

Технические характеристики

Напряжение / Частота	220–240 В / 50–60 Гц
Мощность	1400 Вт
Расход воздуха	2520 м ³ /мин
Емкость пылесборника	15 л
Функция выдува	+
Сухая и влажная уборка	+
Длина кабеля	4 м
Длина шланга	2 м
Масса	10 кг

Комплект поставки

Шланг
Щетка для полов
Щетка для чистки ковров
Трубка удлинительная алюминиевая - 2 шт.
Насадка щелевая
HEPA filter
Пылесборный мешок

Срок службы изделия

Срок службы изделия составляет 5 лет.

Срок хранения

При соблюдении условий хранения срок хранения не ограничен.


Условия хранения

Продукция хранится в сухих, проветриваемых складских помещениях при температуре от 0°C до +40°C при относительной влажности не более 80%.

Транспортировка

- Категорически не допускается падение и любые механические воздействия на упаковку при транспортировке
- При разгрузке/погрузке не допускается использование любого вида техники, работающей по принципу зажима упаковки
-

ОБЩИЕ УКАЗАНИЯ ПО ТЕХНИКЕ БЕЗОПАСНОСТИ ДЛЯ ЭЛЕКТРОИНСТРУМЕНТОВ

 Прочтите все указания и инструкции по технике безопасности. Несоблюдение указаний и инструкций по технике безопасности может стать причиной поражения электрическим током, пожара и тяжелых травм.

Сохраняйте эти инструкции и указания для будущего использования.

Использованное в настоящих инструкциях и указаниях понятие «электроинструмент» распространяется на электроинструмент с питанием от сети (с сетевым шнуром) и на аккумуляторный электроинструмент (без сетевого шнура).

Безопасность рабочего места

- Содержите рабочее место в чистоте и хорошо освещенным. Беспорядок или неосвещенные участки рабочего места могут привести к несчастным случаям.
- Не работайте с этим электроинструментом во взрывоопасном помещении, в котором находятся горючие жидкости, воспламеняющиеся газы или пыль.
- Электроинструменты искрят, что может привести к воспламенению пыли или паров.
- Во время работы с электроинструментом не допускайте близко к Вашему рабочему месту детей и посторонних лиц. Отвлечшись, Вы можете потерять контроль над электроинструментом.

Электробезопасность

- Штепсельная вилка электроинструмента должна подходить к штепсельной розетке. Ни в коем случае не изменяйте штепсельную вилку. Не применяйте переходные штекеры для электроинструментов с защитным заземлением. Неизменные штепсельные вилки и подходящие штепсельные розетки снижают риск поражения электротоком.
- Предотвращайте телесный контакт с заземленными поверхностями, как то: с трубами, элементами отоплення, кухонными плитами и холодильниками. При заземлении Вашего тела повышается риск поражения электротоком.
- Защищайте электроинструмент от дождя и сырости. Проникновение воды в электроинструмент повышает риск поражения электротоком.
- Не разрешается использовать шнур не по назначению, например, для транспортировки или подвески электроинструмента, или для вытягивания вилки из штепсельной розетки. Защищайте шнур от воздействия высоких температур, острых кромок или подвижных частей электроинструмента. Поврежденный или спутанный шнур повышает риск поражения электротоком.
- При работе с электроинструментом под открытым небом применяйте пригодные для этого кабели-удлинители. Применение пригодного для работы под открытым небом кабеля-удлинителя снижает риск поражения электротоком.
- Если невозможно избежать применения электроинструмента в сыром помещении, подключайте электроинструмент через устройство защитного отключения. Применение устройства защитного отключения снижает риск электрического поражения.

Безопасность людей

- Будьте внимательными, следите за тем, что Вы делаете, и продуманно начинайте работу с электроинструментом. Не пользуйтесь электроинструментом в усталом состоянии или если Вы находитесь в состоянии наркотического или алкогольного опьянения или под воздействием лекарств. Один момент невнимательности при работе с электроинструментом может привести к серьезным травмам.
- Применяйте средства индивидуальной защиты и всегда защитные очки. Использование средств индивидуальной защиты, как то: защитной маски, обуви на нескользящей подошве, защитного шлема или средств защиты органов слуха, – в зависимости от вида работы с электроинструментом снижает риск получения травм.
- Предотвращайте непреднамеренное включение электроинструмента. Перед подключением электроинструмента к электропитанию и/или к аккумулятору убедитесь в выключенном состоянии электроинструмента. Удержание пальца на выключателе при транспортировке электроинструмента и подключение к сети питания включенного электроинструмента чревато несчастными случаями.
- Убирайте установочный инструмент или гаечные ключи до включения электроинструмента. Инструмент или ключ, находящийся во вращающейся части электроинструмента, может привести к травмам.
- Не принимайте неестественное положение корпуса тела. Всегда занимайте устойчивое положение и сохраняйте равновесие. Благодаря этому Вы можете лучше контролировать электроинструмент в неожиданных ситуациях.
- Носите подходящую рабочую одежду. Не носите широкую одежду и украшения. Держите волосы, одежду и рукавицы вдали от движущихся частей. Широкая одежда, украшения или длинные волосы могут быть затянута вращающимися частями.
- При наличии возможности установки пылеотсасывающих и пылесборных устройств проверяйте их присоединение и правильное использование. Применение пылесоса может снизить опасность, создаваемую пылью.

Применение электроинструмента и обращение с ним

- Не перегружайте электроинструмент. Используйте для Вашей работы предназначенный для этого электроинструмент. С подходящим электроинструментом Вы работаете лучше и надежнее в указанном диапазоне мощности.
- Не работайте с электроинструментом при неисправном выключателе. Электроинструмент, который не поддается включению или выключению, опасен и должен быть отремонтирован.
- До начала наладки электроинструмента, перед заменой принадлежностей и прекращением работы отключайте штепсельную вилку от розетки сети и/или выньте аккумулятор. Эта мера предосторожности предотвращает непреднамеренное включение электроинструмента.
- Храните электроинструменты в недоступном для детей месте. Не разрешайте пользоваться электроинструментом лицам, которые не знакомы с ним или не читали настоящих инструкций. Электроинструменты опасны в руках неопытных лиц.
- Тщательно ухаживайте за электроинструментом. Проверяйте безупречную функцию и ход движущихся частей элек-

тройного инструмента, отсутствие поломок или повреждений, отрицательно влияющих на функцию электроинструмента. Поврежденные части должны быть отремонтированы до использования электроинструмента. Плохое обслуживание электроинструментов является причиной большого числа несчастных случаев.

- Держите режущий инструмент в заточенном и чистом состоянии. Заботливо ухоженные режущие инструменты с острыми режущими кромками режут заклиниваются и их легче вести.
- Применяйте электроинструмент, принадлежности, рабочие инструменты и т.п. в соответствии с настоящими инструкциями. Учитывайте при этом рабочие условия и выполняемую работу. Использование электроинструментов для непредусмотренных работ может привести к опасным ситуациям.

Сервис

Ремонт Вашего электроинструмента поручайте только квалифицированному персоналу и только с применением оригинальных запасных частей. Этим обеспечивается безопасность электроинструмента.

УКАЗАНИЯ ПО ТЕХНИКЕ БЕЗОПАСНОСТИ ДЛЯ ПЫЛЕСОСОВ

Данный пылесос соответствует общепризнанным техническим требованиям и специальным правилам техники безопасности.

- Подсоединение к электросети и включение пылесоса должно производиться только с учётом данных типовой таблички.
- Не используйте пылесос без сменного пылесборника. Пылесос может быть повреждён!
- Использование пылесоса детьми старше 8 лет и лицами с ограниченными физическими или умственными способностями, а также лицами, не имеющими опыта обращения с подобным оборудованием, допускается только под присмотром или после инструктажа по безопасному использованию прибора и осознания данными лицами опасностей, связанных с его эксплуатацией.
- Детям запрещено играть с прибором.
- Чистка и уход не должны производиться детьми без присмотра.

Запрещается использовать пылесос для:

- чистки людей и животных;
- всасывания:
 - вредных для здоровья веществ, острых, горячих или раскалённых предметов;
 - мокрых предметов или жидкостей;
 - легковоспламеняющихся или взрывчатых веществ и газов;
 - пепла, сажи из кафельных печей и установок центрального отопления;
 - тонера из принтеров или копировальных аппаратов.
- Не подносите всасывающий шланг с ручкой, насадки и трубку к голове. Это может привести к травме!
- При уборке ставьте пылесос на твёрдую и устойчивую поверхность.
- При уборке лестницы пылесос всегда должен находиться ниже пользователя.
- В следующих случаях следует немедленно прекратить использование пылесоса и связаться с сервисной службой:
 - при повреждении сетевого кабеля;
 - при случайном всасывании жидкости или при попадании жидкости внутрь пылесоса;
 - при падении пылесоса.
- Не используйте сетевой кабель для переноски/транспортировки пылесоса.
- Для многочасовой работы в непрерывном режиме полностью вытягивайте сетевой кабель.
- При отсоединении пылесоса от электросети всегда беритесь рукой за вилку, а не за сетевой кабель.
- Следите за тем, чтобы сетевой кабель не был зажат и не попал на острые края предметов.
- Перед проведением любых работ по ремонту и техническому обслуживанию пылесоса отсоединяйте его от электросети.
- Не пользуйтесь неисправным пылесосом. При возникновении неисправности вынимайте вилку из розетки.
- Во избежание опасности все работы по ремонту и замене деталей пылесоса следует выполнять только в авторизованной сервисной службе.
- Защищайте пылесос от воздействия неблагоприятных климатических условий, влажности и источников тепла.
- Пылесос не предназначен для эксплуатации на строительных объектах. При засасывании строительного мусора пылесос может выйти из строя.
- Выключайте пылесос даже при небольших паузах в уборке.
- Отслуживший пылесос сделайте непригодным для дальнейшего использования, а затем утилизируйте в соответствии с действующими правилами.
- Пакеты и плёнки из полимерных материалов следует хранить и утилизировать вне зоны доступа малолетних детей (опасность удушья).
- запрещается обрабатывать пылесборник и фильтры (моторный фильтр, выпускной фильтр и т.д.) горючими спирто-содержащими веществами.

Меры предосторожности

1. Пылесос имеет несколько функций, пожалуйста, внимательно прочитайте руководство перед эксплуатацией и выберите подходящие аксессуары для различных видов работ.
2. Не оставляйте работающий пылесос без контроля. Пожалуйста, выключите и выньте шнур из электросети.
3. Домашнее использование и только в помещении.
4. Используйте только оригинальные аксессуары, поставляемые в комплекте.
5. При неисправности устройства незамедлительно обратитесь официальный сервис центр.
6. Пожалуйста, немедленно выключите пылесос, если произойдут какие-либо несчастные случаи.
8. Перед уборкой убедитесь, что фильтры очищены и установлены правильно.

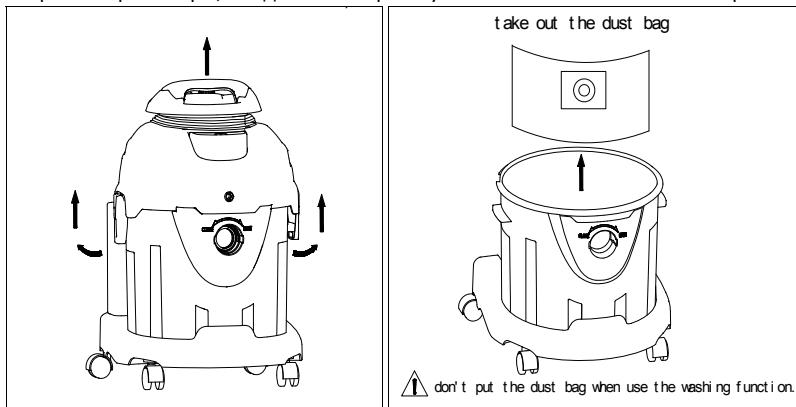
Примечания по эксплуатации

Версия для чистки ковров:

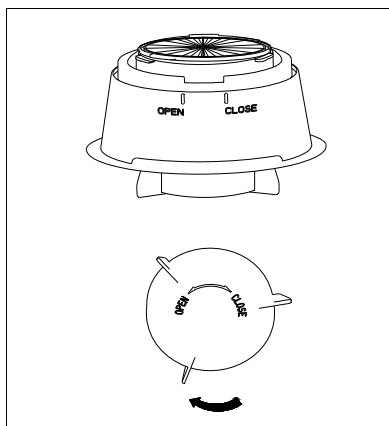
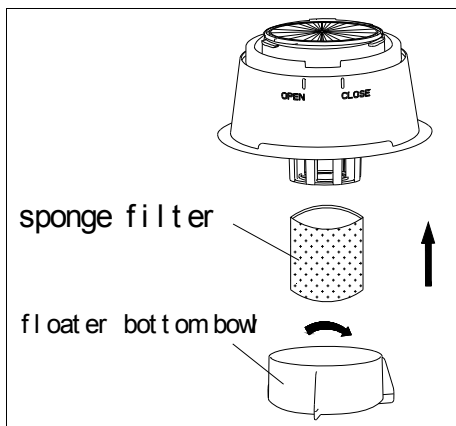
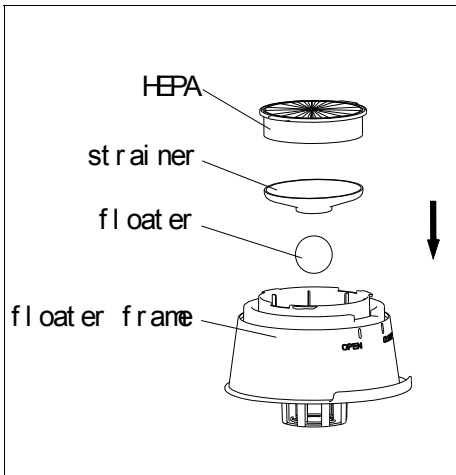
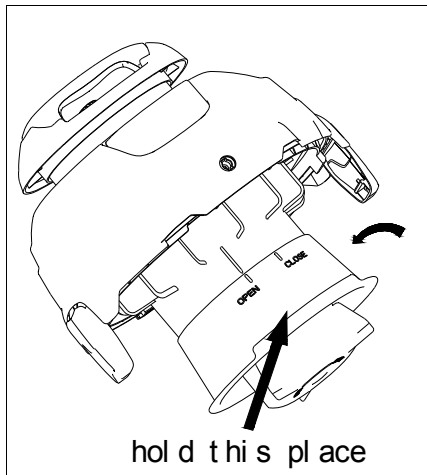
1. Снимите пылесборник.
2. Не встряхивайте пылесос. Используйте на ровной поверхности.
3. Немедленно выключите пылесос, если капли воды или раствора выплескиваются. Проверьте уровень собранной жидкости. Очистите резервуар и поплавковый клапан.
4. Используйте только специализированные концентраты для чистки ковров препятствующие пенообразованию.
5. Емкость резервуара для раствора составляет 3,5 л.
6. Полного бака с моющим раствором хватает на 20-25 минут работы. Во избежание возможного повреждения насоса следите за тем, чтобы при включённой функции разбрызгивания бак для моющего средства всегда был наполнен.

Эксплуатация:

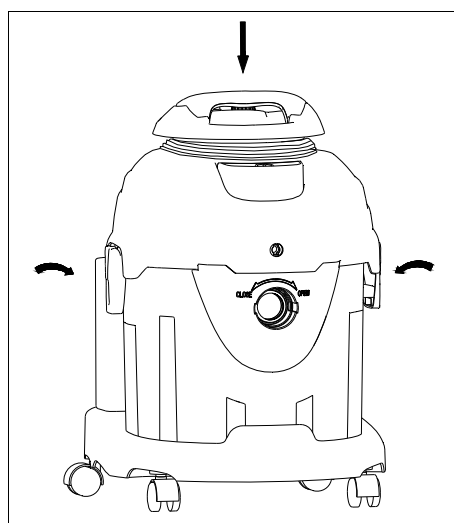
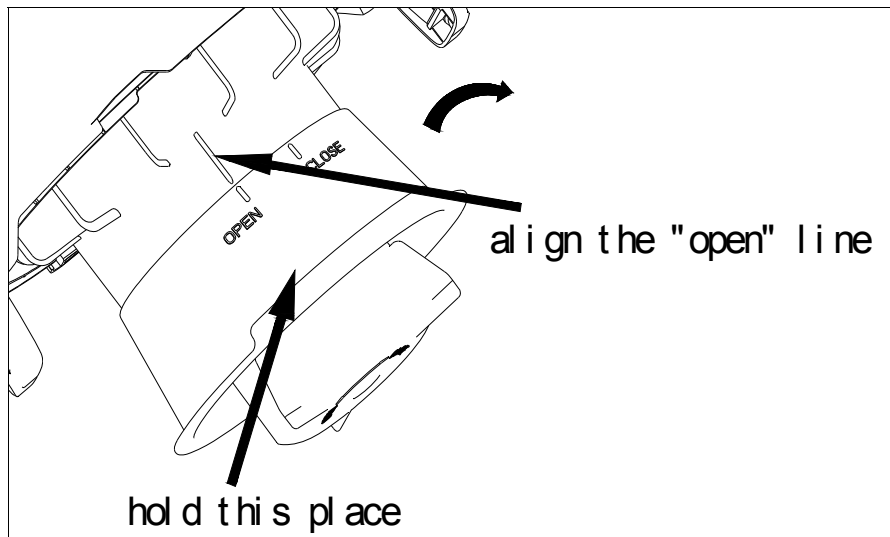
1. Откройте фиксаторы, поднимите крышку бака и снимите пылесборный мешок.



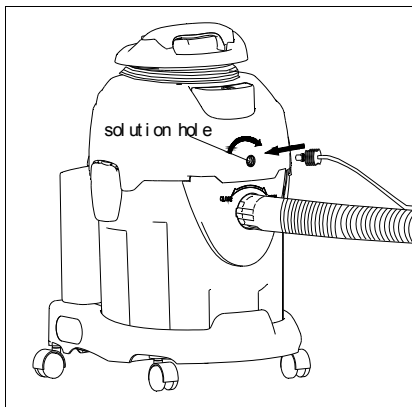
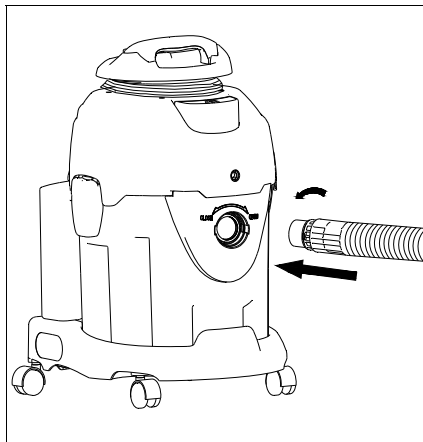
2. Держите моторный блок ручкой вверх, откройте нижнюю часть блока согласно инструкции. Проверьте правильно ли зафиксированы фильтры и поплавковый клапан.



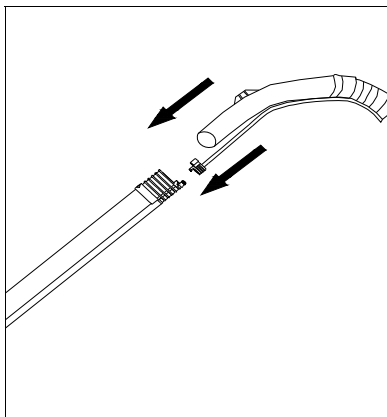
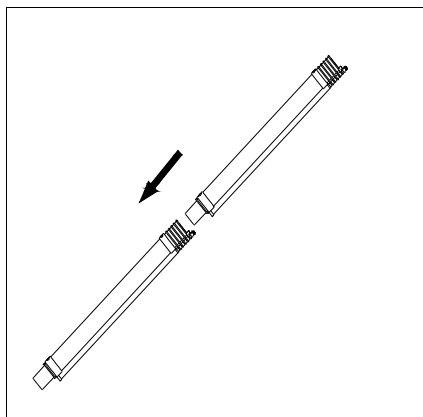
3. Соберите фильтрующий блок в соответствии со схемой, установите на бак и закрепите с помощью фиксаторов.



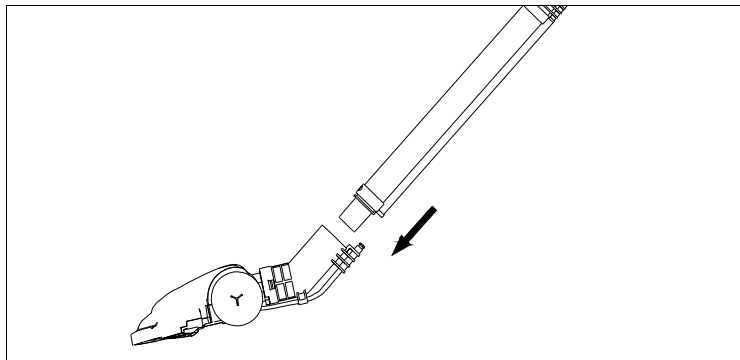
4. Вставьте и зафиксируйте всасывающий шланг и шланг для подачи моющего средства согласно инструкции.



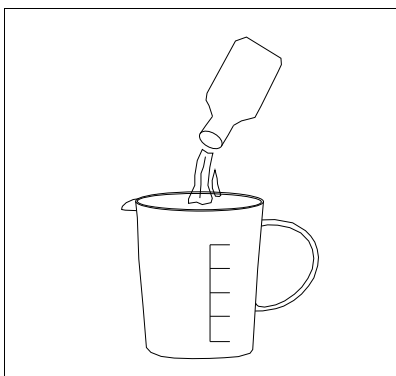
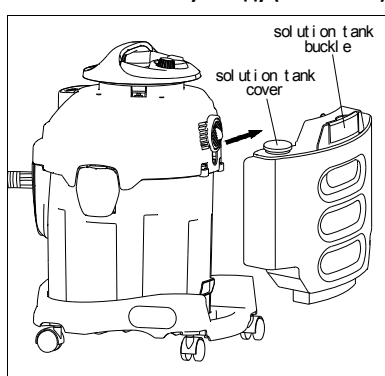
5. Соедините удлинительные трубки и шланг для подачи моющего средства



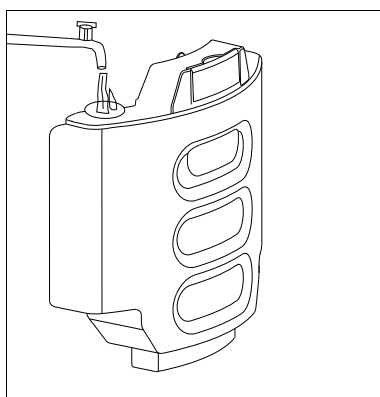
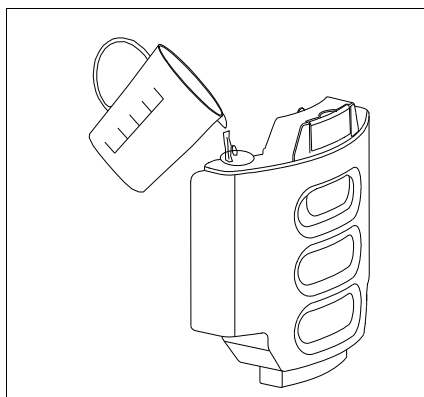
6. Соедините удлинительные трубки и шланг для подачи моющего средства с щеткой для чистки ковров.

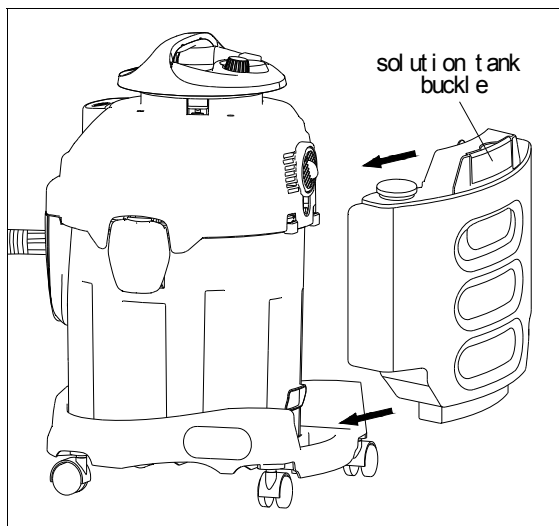


7. Снимите крышку с бака для моющего средства и залейте в бак мощный концентрат и воду. Дозировка указана на этикетке бутылки с моющим концентратом. **Использовать только слегка тёплую воду (макс. 30°C).**

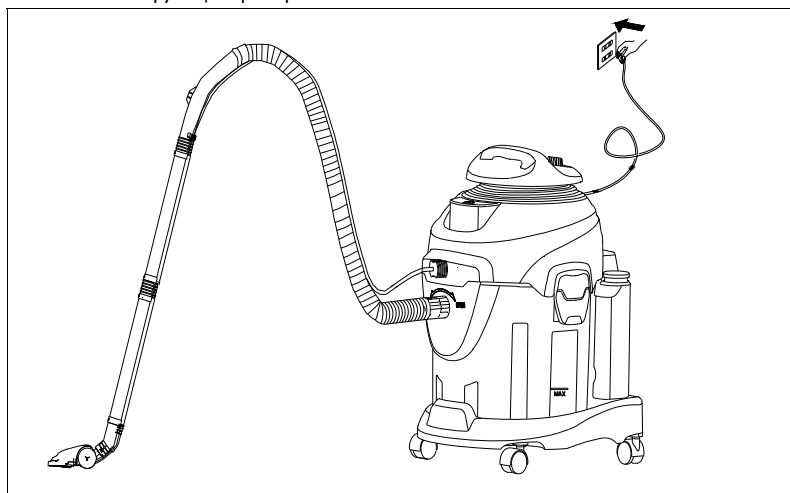


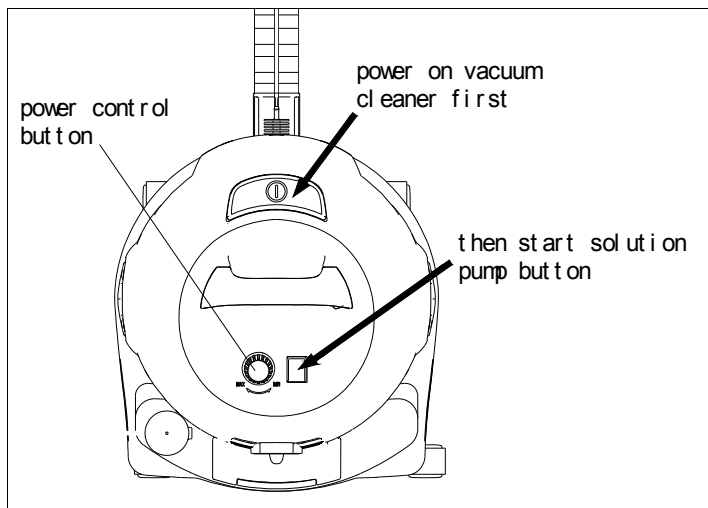
8.



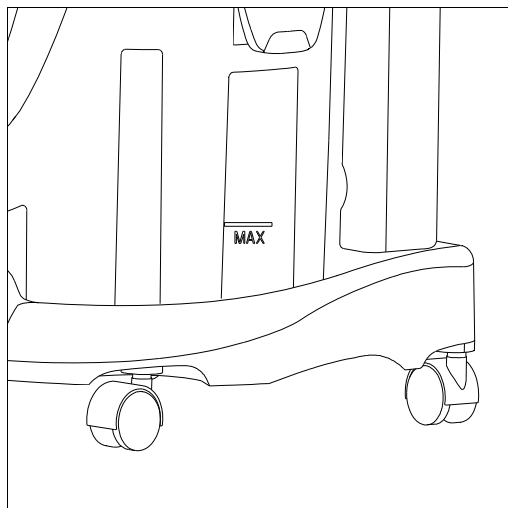


9. Снова закройте крышку и установите в прибор бак для моющего средства.
 Включите прибор нажатием кнопки для включения/выключения. С помощью регулятора мощности можно изменять мощность всасывания.
 Включайте функцию разбрызгивания только после включения пылесоса.

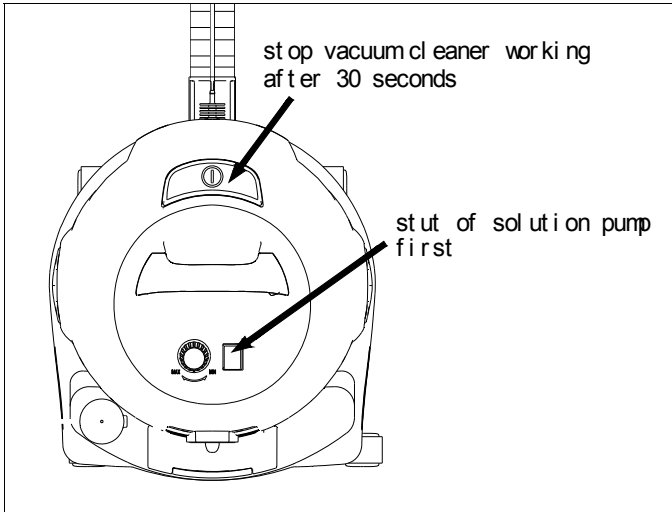




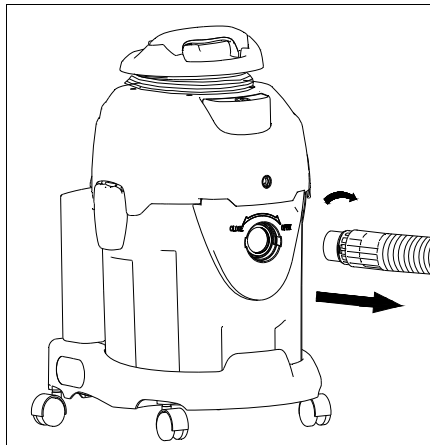
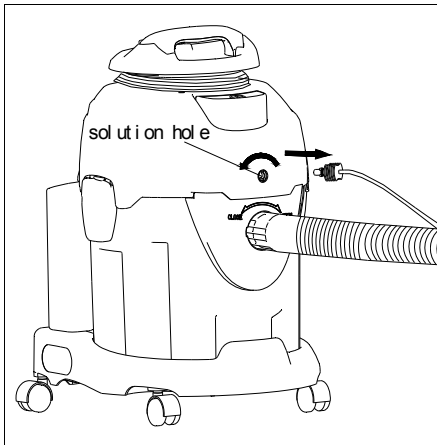
10. Во время работы пылесоса проверяйте уровень заполнения бака. Не превышайте отметку MAX

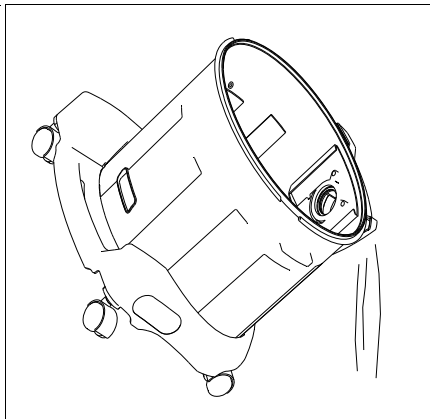
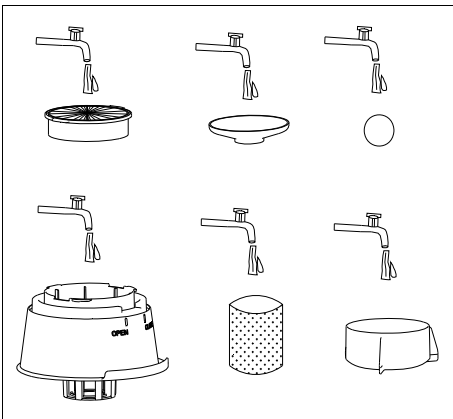
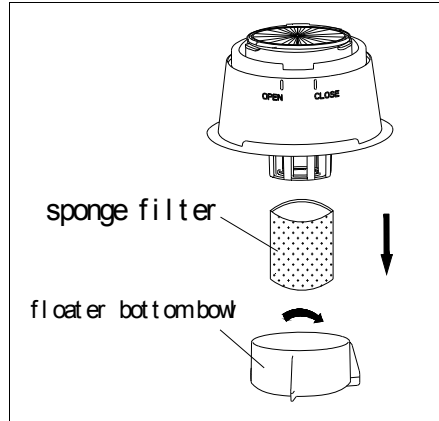
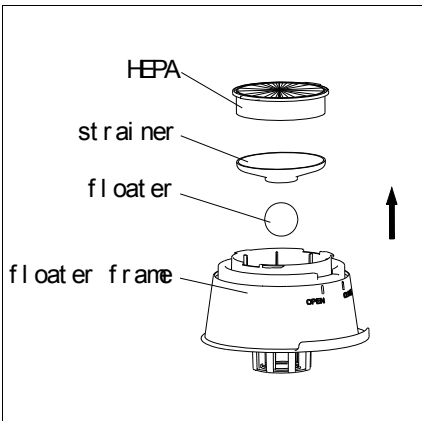
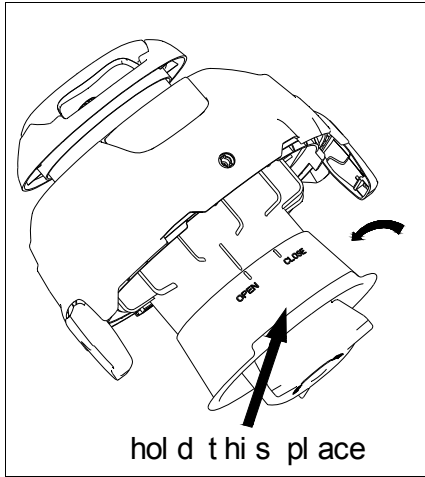
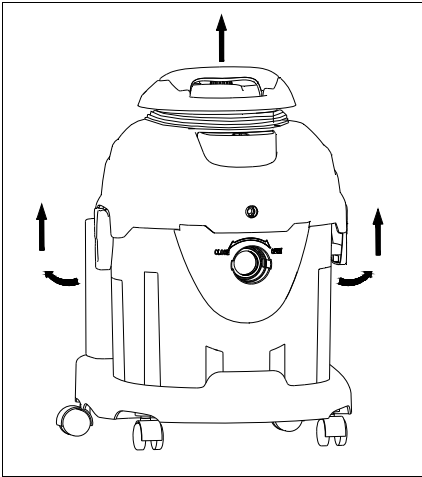


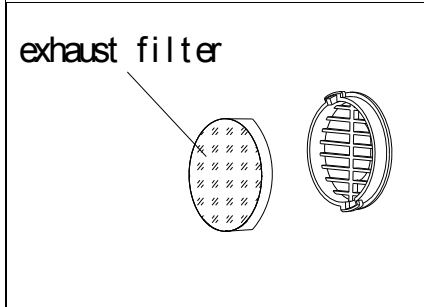
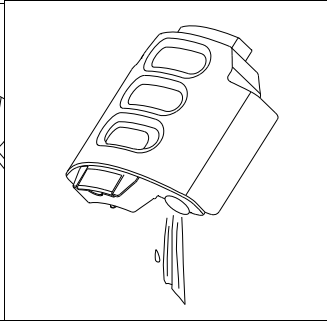
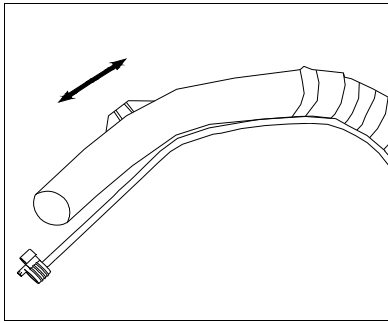
Бак будет заполнен полностью в течение 20-25 минут. Выключайте функцию разбрызгивания за 30 сек до выключения пылесоса.



Отсоединить электрокабель от сети! Затем почистить и просушить прибор и использованные принадлежности. Никогда не погружайте в воду головную часть прибора! Корпус мотора протрите влажной салфеткой и затем просушите.







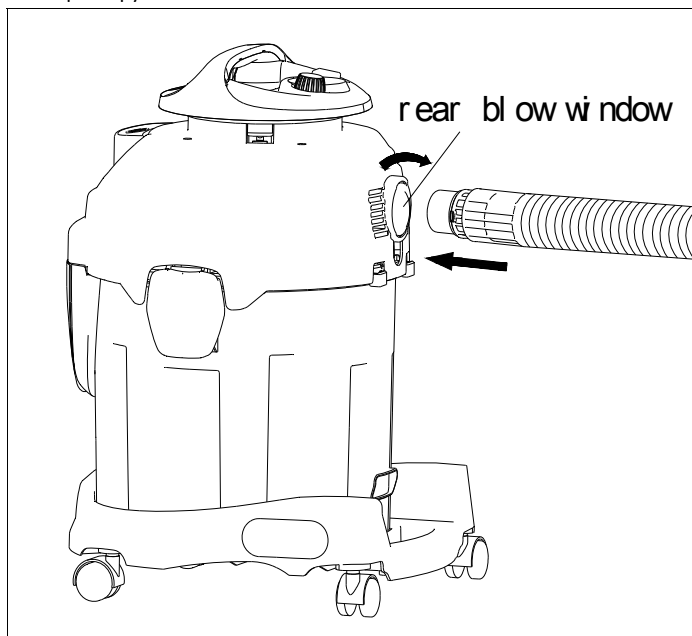
Функция выдува

ВНИМАНИЕ! Не включайте функцию разбрызгивания для избегания перегрева насоса.

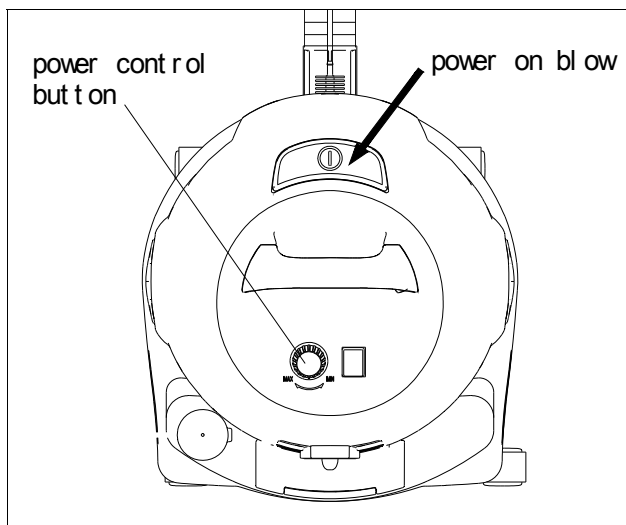
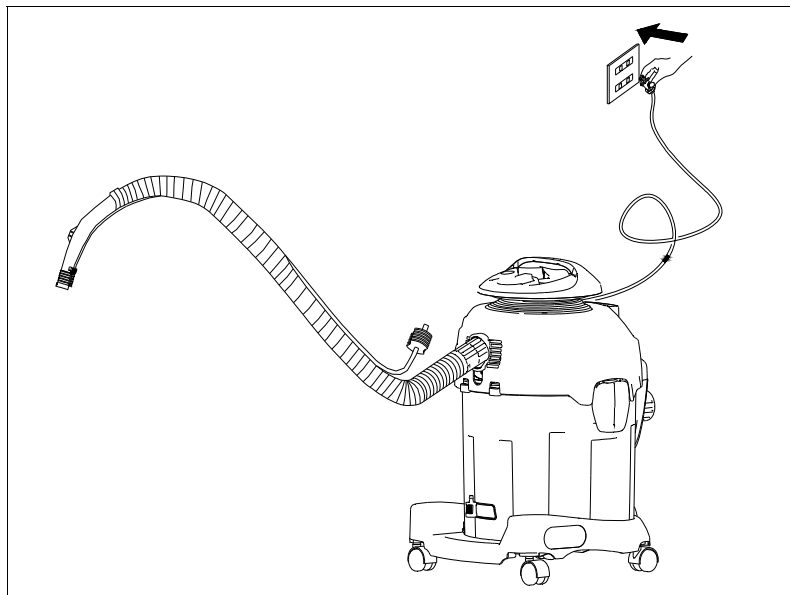
1. Снимите емкость для мощщего средства и фильтр с выходного отверстия.



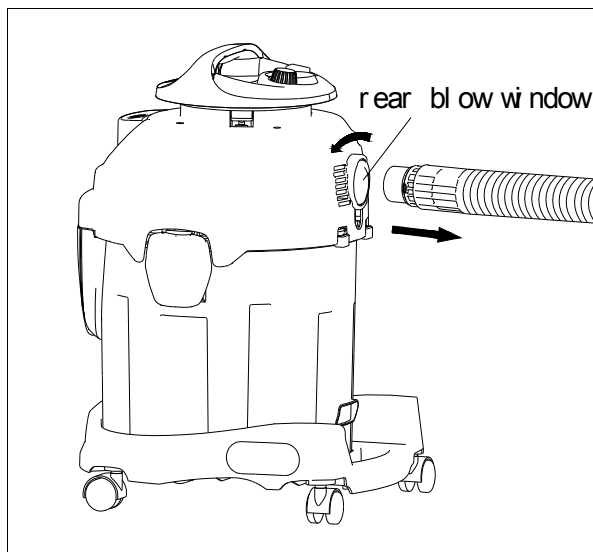
2. Зафиксируйте шланг



Включите и включите пылесос для продувки.



Выньте шланг и закрепите крышку фильтра после использования.

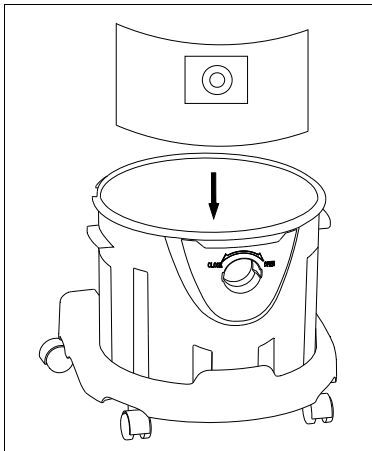
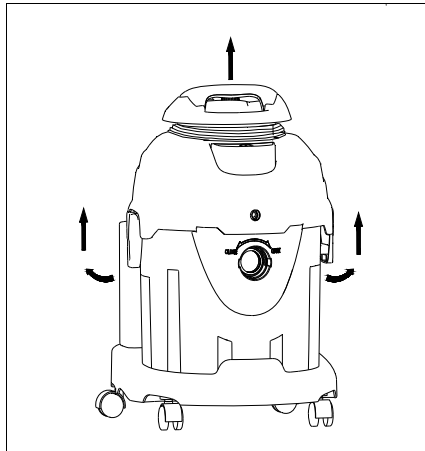


Меры предосторожности при сухой-влажной уборке

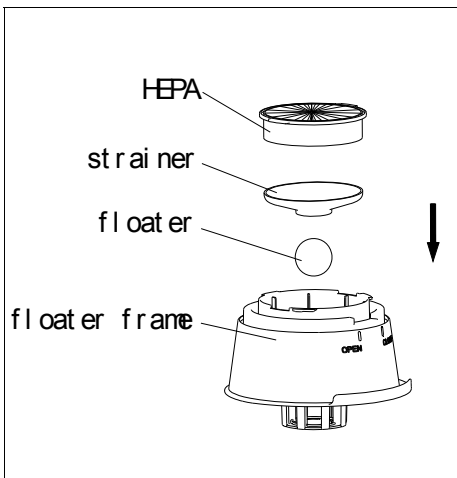
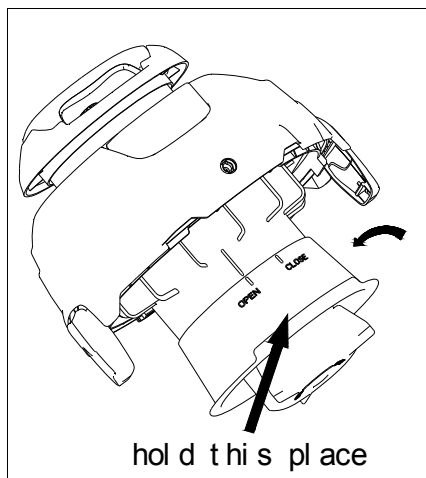
1. Не включайте функцию разбрызгивания.
2. Для удобства использования пылесоса извлеките бак для моющего средства.
3. Не встраивайте пылесос. Используйте на ровной поверхности.
4. Немедленно выключите пылесос, если капли воды или раствора выплескиваются. Проверьте уровень собранной жидкости . Очистите резервуар и поплавковый клапан.
5. Замените пылесборный мешок при необходимости.

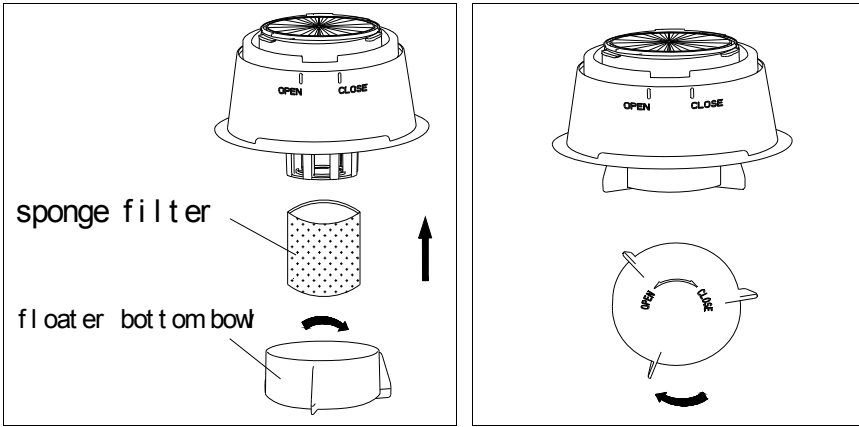
Инструкция для сухой-влажной уборке

Откройте фиксаторы, поднимите крышку бака и установите пылесборный мешок.

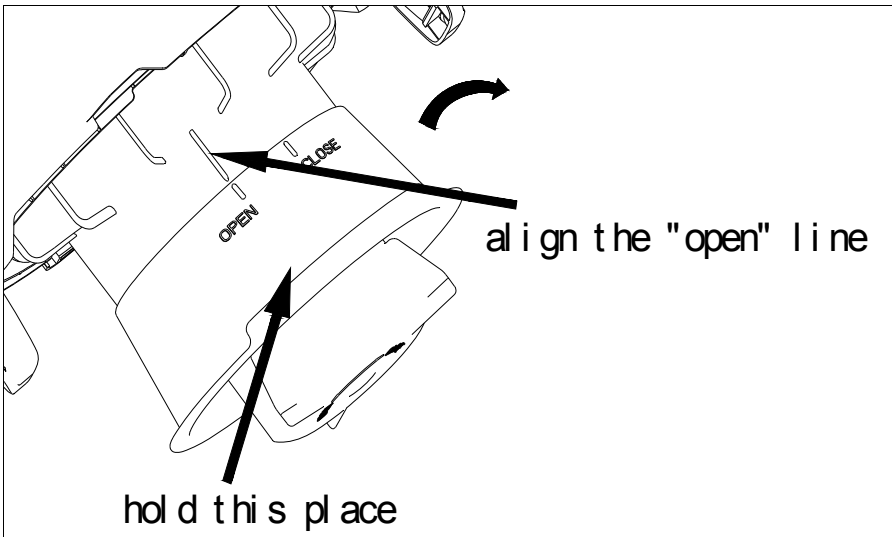


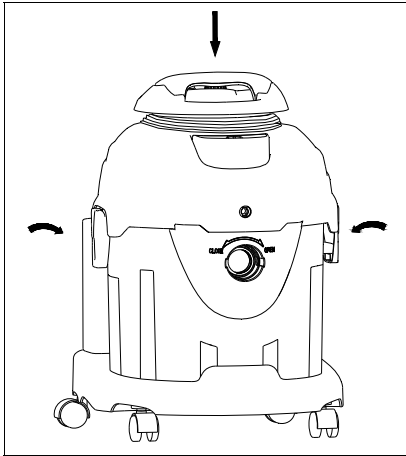
6. Держите моторный блок ручкой вверх, откройте нижнюю часть блока согласно инструкции. Проверьте правильно ли зафиксированы фильтры и поплавковый клапан.



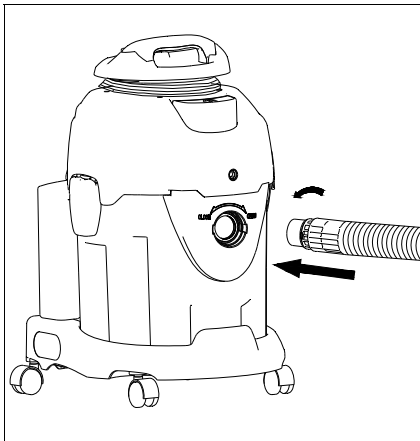


7. Соберите фильтрующий блок в соответствии со схемой, установите на бак и закрепите с помощью фиксаторов.

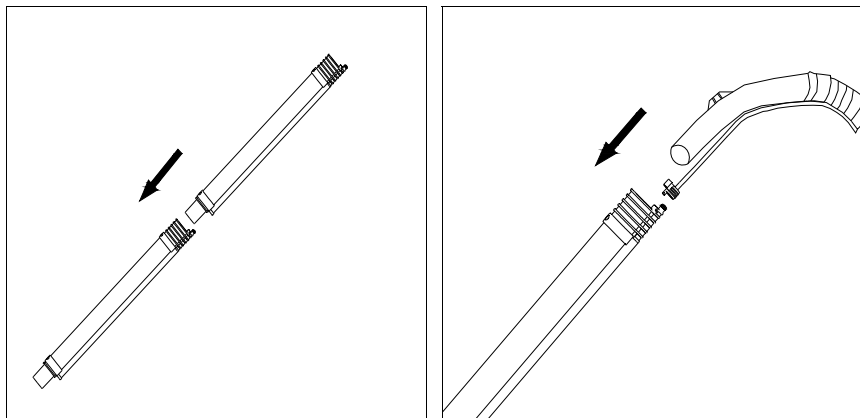




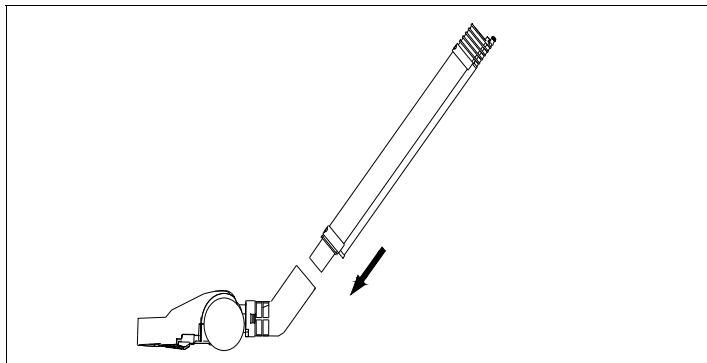
8. Вставьте и зафиксируйте всасывающий шланг

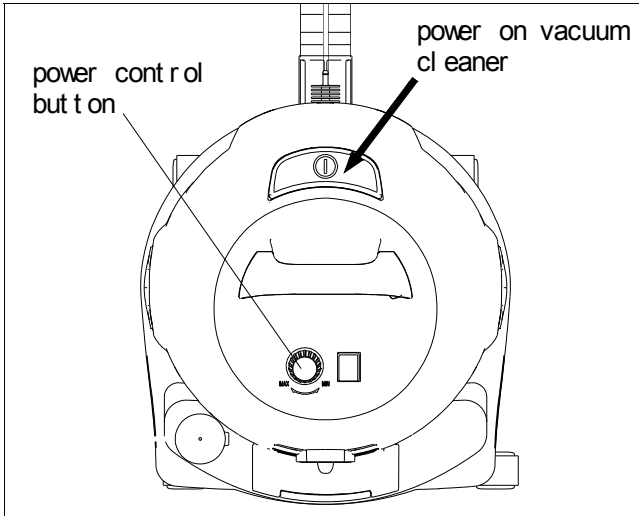
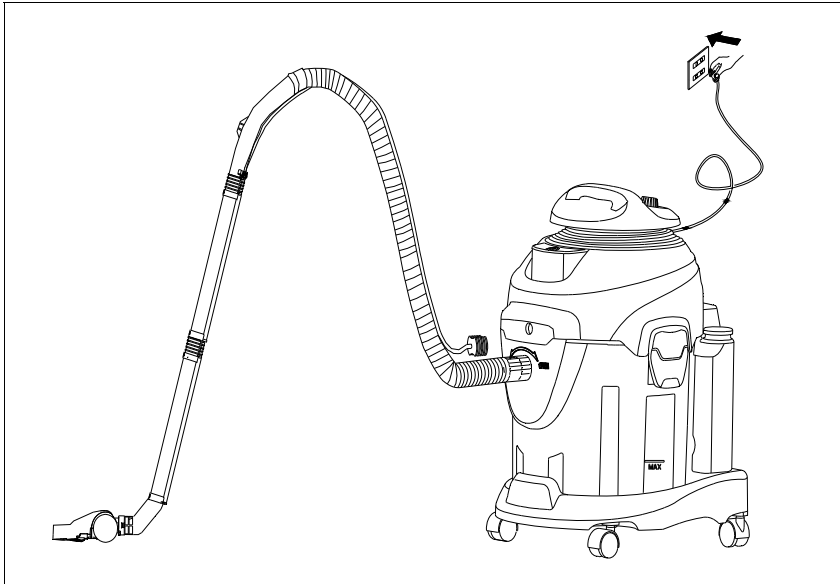


9. Соедините удлинительные трубки.

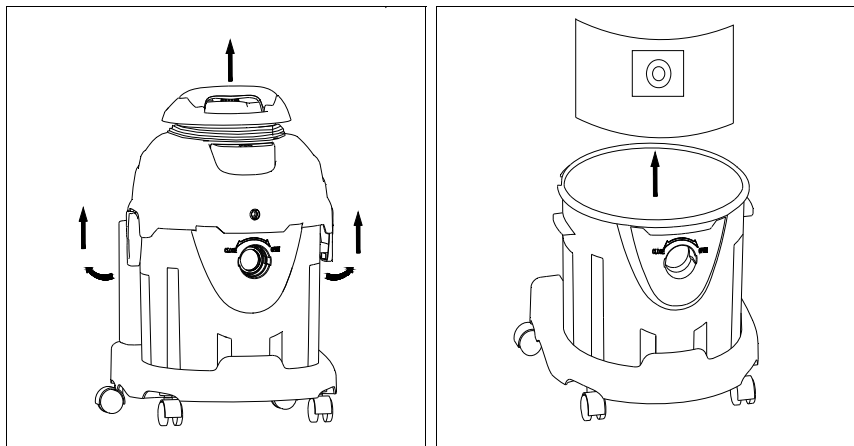


10. Соедините удлинительные трубки с щеткой для полов.





11. Включите прибор нажатием кнопки для включения/выключения. С помощью регулятора мощности можно изменять мощность всасывания.

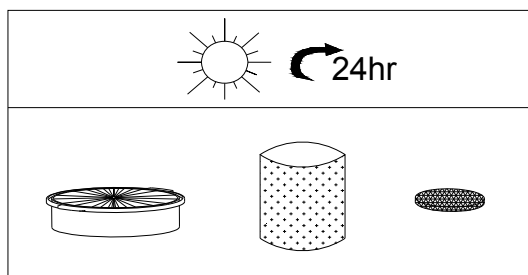
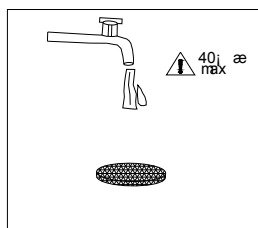
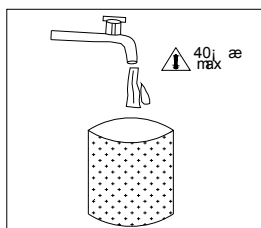
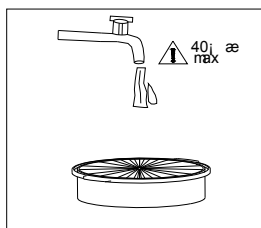


12. Отсоединить электрокабель от сети!

13. Затем почистить и просушить прибор и использованные принадлежности.

14. Никогда не погружайте в воду головную часть прибора!

15. Корпус мотора протрите влажной салфеткой и затем просушите.



16. Закрепите шнур после использования.

ТЕХНИЧЕСКОЕ ОБСЛУЖИВАНИЕ И УХОД



Перед техническим обслуживанием отключайте инструмент от сети питания!

- Каждый раз по окончании работы рекомендуется очищать корпус инструмента и вентиляционные отверстия от грязи и пыли мягкой тканью или салфеткой. Устойчивые загрязнения рекомендуется устранять при помощи мягкой ткани, смоченной в мыльной воде. Недопустимо использовать для устранения загрязнений растворители: бензин, спирт, аммиачные растворы и т.п. Применение растворителей может привести к повреждению корпуса инструмента.
- В случае неисправностей обратитесь в Службу сервиса BORT GLOBAL LIMITED.

УТИЛИЗАЦИЯ



Старые электроприборы подлежат вторичной переработке и поэтому не могут быть утилизированы с бытовыми отходами! Поэтому мы хотели бы попросить Вас активно поддержать нас в деле экономии ресурсов и защиты окружающей среды и сдать этот прибор в приемный пункт утилизации (если таковой имеется).

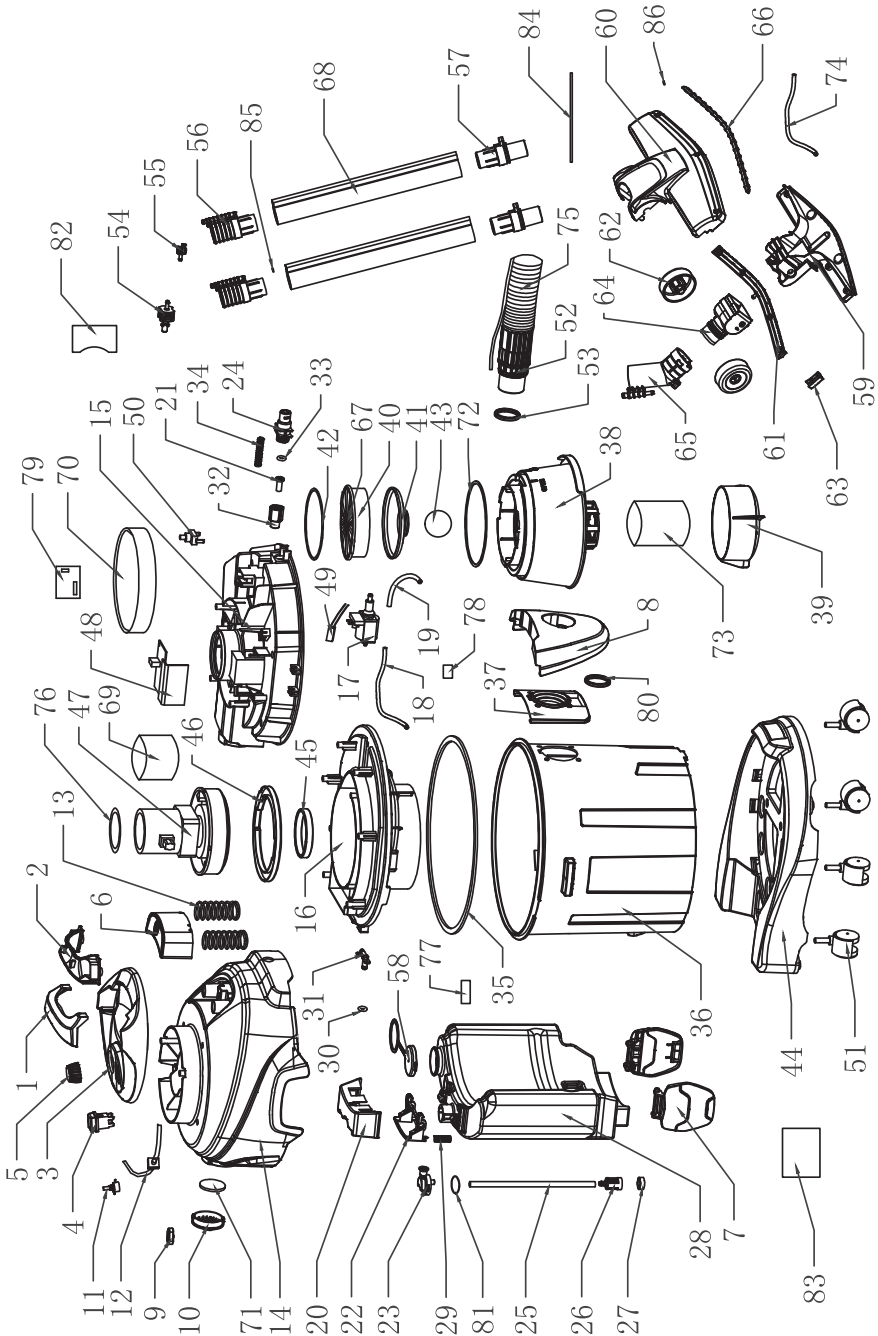
Данные по шуму и вибрации

По результатам измерений в соответствии с EN 60745-2-11 уровень звукового давления данного устройства составляет 89 дБ(А), уровень шума составляет 101,1 дБ(А), вибрация равна 7,9 м/с².

Заявление о соответствии СЕ

Мы с полной ответственностью заявляем, что настоящее изделие соответствует следующим стандартам и нормативным документам: EN 55014-1, EN 55014-2, EN 61000-3-2, EN 61000-3-3, EN 60335-2-2, EN 60335-1, EN 62233, – согласно правилам: 2006/95/EC, 2004/108/EC.

Exploded view



Spare parts list

No.	Part Name
4	Switch
47	Electric motor
67	Filter (spare part)



- DE** Garantiebedingungen
- GB** Warranty terms
- FR** Conditions de garantie
- RU** Условия гарантии

1. BORT GLOBAL LIMITED bietet 1 Jahr Garantie auf das komplette Sortiment an, ausgehend vom Verkaufsdatum. Für das Gerät, das mit professionellen, gewerblichen Zielen verwendet wird, erstreckt sich die Garantie nicht, es unterliegt lediglich einer gebührenpflichtigen Reparatur.

2. Eine Nutzung des Gerätes für den Hausbedarf charakterisiert eine Beschränkung in der Arbeitszeit und damit ist seine Nutzung für den Hausbedarf für nicht mehr als 40 Stunden Nutzungsdauer gemeint, dabei muss man für jede 15 Minuten ununterbrochener Arbeit eine Pause von 10-15 Minuten machen. Die Nutzung des Gerätes zu dieser Bedingung ist eine Regelverletzung der entsprechenden Nutzung (die gegebene Bedingung erstreckt sich nicht auf Pumpen, Generatoren, Ladevorrichtungen und ähnliche Ausrüstungen). Die Lebensdauer des Gerätes unter Beachtung der obengenannten Bedingung beträgt 5 Jahre.

Beim Kauf des Gerätes wird ein Garantiekupon ausgefüllt (auf jeden Fall müssen das Verkaufsdatum, das Modell, die Seriennummer des Gerätes angegeben und die übrigen Felder ausgefüllt werden). Bitte bewahren Sie den Kupon und den Kassensbon während der Garantiefrist für die Vorlage im Servicezentrum auf.

Ein Elektrogerät wird zur Garantiereparatur lediglich in zusammengebauter Form angenommen, mit den ersetzbaren Arbeitsvorrichtungen und den Befestigungselementen (Reifen, Kreissägeblätter, Ketten, Messer, Trimmerköpfe, Düsen, Kettenräder, Bolzen, Muttern, Befestigungsflansche des Gerätes).

3. Die Garantiefrist beträgt bis zu 3-5 Jahre*, wenn der Besitzer das Elektrogerät innerhalb von 2 Wochen ab Kaufdatum registriert. Die Verlängerung der Garantiezeit erstreckt sich nicht auf die Akku-Werkzeuge, Ladevorrichtungen und das im Liefersatz vorhandene Zubehör. Die Registrierung erfolgt lediglich auf der Webseite unter folgender Adresse: www.bort-global.com Als Bestätigung der Registrierung gilt das Registrierungszertifikat, das auf dem Drucker während der Registrierung ausgedruckt werden muss. Das Registrierungszertifikat wird im Servicezentrum zusammen mit dem Garantiekupon und dem Kassensbon vorgelegt.

4. Während der Garantiefrist werden kostenfrei behoben:

- Beschädigungen des Gerätes, die wegen der Verwendung von minderwertigem Material entstanden sind.
- die Montagefehler, die durch Verschulden des Herstellers entstanden sind.

5. Die Garantie erstreckt sich nicht:

- Auf Störungen am Gerät, die durch das Nichtbefolgen der Betriebsanweisungen hervorgerufen werden.
- Auf mechanische Beschädigungen (Risse, Kratzer, mechanische Beschädigungen der Netzkabel, mechanische Beschädigungen des Körpers u.ä.) und Beschädigungen, die durch Einwirkung von aggressiven Mitteln und hohen Temperaturen hervorgerufen wurden, durch Eindringen von Flüssigkeiten, fremdartigen Gegenständen in die Ventilationsgitter des Elektrogerätes, sowie Beschädigungen, die infolge falscher Aufbewahrung eingetreten sind (Korrosion von Metallteilen u.ä.);
- Auf Geräte mit Schäden, die infolge von Überlastung entstanden sind (gleichzeitiger Ausfall des Rotors und Stators) oder unsachgemäßer Nutzung (Nutzung eines abgestumpften, unpassenden, nicht ausbalancierten, falsch ausgewählten Ersatzgerätes), ungenügender technischer Wartung oder Pflege, Anwendung des Gerätes für einen Zweck, für den es nicht bestimmt ist (Nutzung zur Arbeit an einem Material, für eine Arbeit, für die das Gerät nicht vorgesehen ist, u.ä.), sowie der Instabilität der Parameter des Stromnetzes, die die Normen überschreiten, die durch EN 61000-3-2, EN 61000-3-3 bestimmt werden. Zu den unbedingten Merkmalen der Überlastung des Erzeugnisses gehören unter anderem: Veränderungen des äußeren Aussehens, Deformation oder Schmelzen von Teilen und Baueinheiten des Erzeugnisses, Schwärzung oder Verkohlung der Leitungsisolierung unter Einwirkung hoher

Temperatur.

- Auf schnellverschleißende Erzeugnisse und Materialien (Kohlenbürsten, Riemen, Gummidichtungen, Netze, Schutzmäntel, Bühnen, Reifen, Zahnräder, Lager, Buchsen, Heizspiralen, Scheiben, Rollen, Stöcke, Sperrknöpfe u.ä.), auf Teile (Zahnräder, Wellen, Lager, Stöcke, Rollen u.ä.), die dem Verschleiß infolge der Qualität des Schmiermittels ausgesetzt sind, sowie auf ersetzbares Zubehör (Bohrpatronen, SDS-Patronen, Bühnen, Zangen, Reifen, flexible Wellen, Batterien, Ladevorrichtungen u.ä.) und Ausgabematerialien (Messer, Laubsägen, Schleifmittel, Sägeblätter, Bohrer, Bohrmeißel, Schmierstoffe u.ä.), mit Ausnahme von Fällen der mechanischen Beschädigungen der oben angeführten Erzeugnisse, die infolge des Garantieverstoßes des Elektrogerätes geschahen;
- Den natürlichen Verschleiß des Gerätes oder seiner Teile (Qualität der Ressourcen, starke innere oder äußere Verschmutzung, Qualität des Schmiermittels);
- Auf ein Gerät, das während der Garantiefrist von Personen oder Organisationen geöffnet oder repariert wurde, die keine juristische Vollmacht für die Durchführung der Reparatur besitzen;
- Auf ein Gerät mit einer entfernten, ausgewaschenen oder geänderten werkseitigen Nummer, sowie, wenn die Daten auf dem Elektrogerät mit den Daten auf dem Garantiekupon nicht übereinstimmen;
- Auf eine vorbeugende Wartung des Elektrogerätes, zum Beispiel: Reinigung, Wäsche, Schmieren.

6. Der Betrieb des Elektrogerätes mit Merkmalen eines Defektes ist nicht zulässig (erhöhte Funkenbildung, Brandgeruch, erhöhter Lärm, starke Vibration, ungleichmäßiges Drehen, Leistungsverlust). Der Betrieb des Elektrogerätes bei Vorhandensein von mechanischen Beschädigungen des Kabels der Stromversorgung (Risse, Kratzer, Brüche der Bänder), des Netzsteckers, sowie von Beschädigungen des Körpers des Elektrogerätes ist verboten.

7. Fehlerhafte Baueinheiten der Geräte werden in der Garantiezeit kostenlos repariert oder werden durch neue ersetzt. Die Entscheidung über die Frage der Zweckmäßigkeit des Ersatzes oder der Reparatur bleibt dem Servicedienst vorbehalten.

Die Beseitigung der Schäden, die von uns als Garantiefall anerkannt werden, erfolgen wahrweise durch die Gesellschaft BORT GLOBAL LIMITED mittels einer Reparatur oder des Ersatzes des fehlerhaften Gerätes. Die ersetzten Geräte und ihre Teile gehen ins Eigentum des Servicedienstes der BORT GLOBAL LIMITED über.

8. Empfehlungen für die vorbeugende Wartung des Elektrogerätes: Für das Elektrogerät wird die Durchführung einer regelmäßigen vorbeugenden Wartung empfohlen (Reinigen, Wäsche, Ersatz des Schmiermittels im Getriebe und den Lagern; Ersatz von Schnellverschleißteilen). Das gewährleistet die tadellose Arbeit des Elektrogerätes während der gesamten Laufzeit. Die Periodizität der Durchführung der vorbeugenden Wartung ist bei nomineller Belastung der Frist des natürlichen Verschleißes der Kohlenbürsten gleich. Die Arbeit für die Durchführung der vorbeugenden Wartung wird laut der geltenden Preisliste des Servicezentrums bezahlt. Die bei der Durchführung der vorbeugenden Wartung aufgetauchten Schäden, die unter die Gültigkeitsdauer der Garantieverpflichtungen fallen, werden kostenlos behoben. Schäden, die nicht unter die Garantiefrist fallen und bei der Diagnostik entdeckt werden, werden laut Abkommen der Parteien in gewohnter Vorgehensweise behoben. Die Durchführung einer vorbeugenden Wartung ändert die Dauer der Garantiezeit nicht.

Andere Ansprüche, außer dem erwähnten Recht auf kostenlose Behebung der Mängel des Gerätes, fallen nicht unter die Gültigkeit der gegenwärtigen Garantie.

9. Die gegenwärtige Garantie verletzt andere legitime Rechte des Konsumenten, die ihm durch die geltende Gesetzgebung gewährt werden, nicht.

* Je nach Modell.

1. BORT GLOBAL LIMITED offers the 1-year warranty from the date of sale for all its products. Professional and commercial tools are not covered by the warranty. Repair is only available for a fee in this case.

2. Non-commercial use of the tools imposes limitations on the duration of its operation and restricts the intended usage to household purposes only. The continuous operating time should not exceed 40 hours. In addition, 10-15 minute breaks are to be made after every 15 minutes of continuous operation. Ignoring this condition when using the tools is a violation of the good operating practice (this provision does not apply to pumps, generators, chargers and similar equipment). Subject to the above mentioned condition, the service life of the tools is 5 years.

When you purchase a tool, a warranty card is issued (fields with a date of sale, model, and serial number are mandatory, other fields can also be completed). Please keep the card together with the sales receipt during the entire warranty period for presentation at the service centre.

Electric tools are only accepted for warranty repairs when assembled with all removable devices and their fastening elements (bus bars, saw blades, chains, knives, trimmer heads, injectors, sprockets, bolts, nuts, and mounting flanges) in working condition.

3. The warranty period is extended up to 3-5 years*, provided the owner registers the electric power tool within 2 weeks after the purchase date. The extended warranty does not cover rechargeable tools, battery chargers, and supplied accessories. Registration is only possible online at www.bort-global.com. Please print the registration certificate at the time of registration. The certificate is the only confirmation of the fact of registration. The registration certificate should be presented at the service centre together with the warranty card and sales receipt.

4. The following malfunctions are eliminated free of charge during the warranty period:

- Damage to the instrument, caused by the use of low-quality materials
- Assembly defects due to the fault of the manufacturer.

5. The warranty does not cover:

- Malfunctions of the tools caused by the failure to comply with the operating instructions.
- Mechanical damage (cracks, chips, mechanical damage to power cords, mechanical damage to the enclosure, etc.), damage caused by exposure to aggressive environments and high temperatures, damage induced by the ingress of liquids or foreign matter into ventilation grids of the electric tools, as well as damage due to improper storage (corrosion of metal parts, etc.).
- Tools with defects which were caused by an overload (simultaneous failure of the rotor and stator), improper use (usage of blunt, unsuitable, unbalanced, or improperly chosen replacement devices), lack of maintenance or care, and use of the tools for purposes other than the intended purpose (for example, for processing of materials for which the tool is not intended, etc.), as well as by the instability of electric power supply, exceeding the standards set by EN 61000-3-2, EN 61000-3-3. Among others, undeniable signs of an overload include: changes in appearance, deformation or melting of parts and components of the product, darkening or charring of wire insulation under high temperatures.
- Wear parts and materials (carbon brushes, belts, rubber gaskets, seals, guards, platforms, bus bars, gears, bearings, hubs, coil heaters, pulleys, rollers, rods, lock buttons, etc.), components (gears, shafts, bearings, rods, rollers, etc.) subject to deterioration due to lubrication wear-out, as well as replacement devices (drill chucks, SDS cartridges, platforms, collets, bus bars, flexible shafts, batteries, battery chargers, etc.) and supplies (knives, saws, abrasives, saw blades, drill bits, drills, lubrication, etc.), except in cases of mechanical damage of the above mentioned products due to failures of the electric tool which are covered by this warranty.

- Natural wear of the tool, its parts and components (wearing out of the resource, severe internal or external contamination, wearing out of the lubrication).
- Tools that were unsealed or repaired during the warranty period by persons or organizations who are not legally authorized to perform these activities.
- Tools with removed, erased, worn out or changed serial numbers, including cases when the data of the electric tool does not match the data of the warranty card.
- Preventive maintenance of the electric tools, for example, cleaning, washing, lubrication.

6. Do not operate electric tools exhibiting failure symptoms (high arcing, smell of burning, increased noise, severe vibration, uneven rotation, loss of power). Do not use the electric tools if there is any mechanical damage to the power cord (cracks, chips, tears, binds), AC plug, or the enclosure of the tool.

7. During the warranty period, faulty parts and components of the instrument are repaired or replaced free of charge. The Service Centre reserves the right to decide whether such parts and components are to be replaced or repaired.

If a failure or malfunction is recognized by BORT GLOBAL LIMITED as a warranty case, then it can be removed according to our own choice by repair or replacement of the defective tool. Replaced tools and parts become the property of the Service Centre of BORT GLOBAL LIMITED.

8. Guidelines for the preventive maintenance of electric tools:

Regular preventive maintenance (cleaning, washing, relubrication of bearings and gearbox, replacement of fast wearing parts) is recommended for the tools. Maintenance ensures perfect operation of the electric tool during its entire service life cycle. The frequency of preventive maintenance at rated load is determined according to the natural wear of carbon brushes. Maintenance work is charged according to the price list of the service centre. Any failures covered by the warranty and detected in the course of maintenance are repaired free of charge. Warranted failures, which are detected by the diagnostics, are eliminated as agreed by the parties according to the routine procedure.

Preventive maintenance does not extend the duration of the warranty period.

Other claims, except for the above mentioned right for free remedial measures, are not covered by this warranty.

9. This warranty does not affect other legal consumer rights granted by the applicable laws.

* Depending on the model.

Chers clients,

1. BORT GLOBAL LIMITED vous propose 1 an de garantie pour ses marchandises à compter de la date de vente. La garantie n'est pas applicable pour les outils utilisés dans les buts professionnels et commerciaux, leur réparation est payée par le client.

2. L'utilisation ménagère de l'outillage est caractérisée par la limitation de la durée de fonctionnement et sous-entend son utilisation dans le ménage, la durée d'emploi ne dépasse pas 40 heures, avec cela après tous les 15 minutes du fonctionnement continu il est nécessaire de faire une pause pour 10-15 minutes. L'utilisation de l'outillage contrairement à cette condition signifie le non-respect des règles d'emploi appropriées (cette condition ne concerne pas les pompes, les générateurs, les chargeurs d'accumulateur et l'équipement similaire). La durée de l'emploi de l'outil à condition du respect de la règle susmentionnée fait 5 ans.

Au moment de l'achat de l'outil un coupon de garantie de service après-vente est établie (il est obligatoire d'y indiquer la date de la vente, le modèle, le numéro de série de l'instrument, d'autres champs sont aussi à remplir). S'il vous plaît, conservez le coupon et le ticket de caisse pendant la période de garantie pour les présenter dans le centre de garantie.

L'outil électrique n'est accepté pour la réparation sous garantie que dans l'ensemble avec les dispositifs échangeables et les éléments de leur fixation (les bandages, les lames circulaires, les chaînes, les couteaux, les têtes de trimmer, les buses à pulvériser, les roues dentées, les vis à tête, les écrous, les flasques de fixation de l'outil).

3. La période de garantie se prolonge pour 3-5 ans* si le possesseur enregistre son outil électrique pendant 2 semaines à compter de la date de l'achat. Le prolongement de la période de garantie ne concerne pas les desserris d'accumulateurs, les chargeurs d'accumulateurs et les accessoires qui font partie de l'ensemble de la fourniture. L'enregistrement s'effectue uniquement sur le site www.bort-global.com La confirmation de l'enregistrement est représentée par le certificat qu'il faut imprimer pendant l'enregistrement. Le certificat d'enregistrement est à présenter dans le centre de service avec le coupon de garantie et le ticket de caisse.

4. Pendant la période de garantie la réparation est gratuite pour:

- Les détériorations de l'outil provoquées par l'usage du matériel défectueux.
- Les défauts de montage commis par la faute du fabricant.

5. La garantie ne concerne pas:

- Les dommages de l'outillage causés par le non-respect de la notice de l'emploi.
- Les détériorations mécaniques (fissures, clivages, défauts mécaniques des prises de secteurs, défauts mécaniques du corps etc.) et les défauts provoqués par l'exposition aux milieux agressifs et hautes températures, l'atteinte des liquides, des objets étrangers dans les grilles de ventilation de l'outillage électrique et aussi les défauts provoqués par le stockage incorrect (la corrosion des parties métalliques etc.);
- Les outils avec les défauts résultant de la surcharge (la panne simultanée du rotor et du stator) ou l'exploitation incorrecte (l'utilisation de l'outil échangeable émoussé, non-balancé, sélectionné de manière incorrecte), de l'entretien insuffisant, de l'emploi inappropriée (l'utilisation pour le travail sur le matériel pour lequel l'outil n'est pas prédestiné et ainsi de suite), aussi bien que de l'instabilité des paramètres du réseau qui dépassent les normes établies par EN 61000-3-2, EN 61000-3-3. Les signes incontestables de la surcharge de l'outil sont, parmi d'autres, les modifications de l'aspect, la déformation ou la fusion des pièces et des blocs de l'outil, le noircissement ou la carbonification du matériau des conduits sous l'action de la haute température.
- Les outils et les matériaux d'usure (balais en charbon, courroies, joints en caoutchouc, bourrages, capots protecteurs, plate-formes, bandages, roues endentées, paliers, gaines, résistances, poulies, tourets, tiges, boutons d'arrêt, et ainsi de suite), les pièces

(roues endentées, arbres, paliers, tiges, tourets et ainsi de suite) soumises à l'usure à cause de l'épuisement du lubrifiant aussi bien que des accessoires échangeables (mandrins porte-foret, mandrins SDS, plate-formes, pinces, bandages, arbres flexibles, batteries d'accumulateurs, chargeurs d'accumulateur, et ainsi de suite) et les consommables (couteaux, coupes, abrasifs, lames circulaires, forets, perçoirs, lubrifiant et ainsi de suite), excepté les cas des dommages mécaniques des marchandises mentionnées survenus à la suite de la rupture de l'outil électrique couverte par la garantie;

- L'usure naturelle de l'outil ou de ses pièces (l'épuisement du ressource, l'engraissement intérieure ou extérieure considérable, l'épuisement du lubrifiant);
- L'outillage ouvert ou réparé pendant la période de garantie par les personnes ou sociétés ne possédant les pouvoirs juridiques pour telles actions;
- L'outillage avec le numéro de fabrication éliminé, effacé ou changé ou si l'information sur l'outillage électrique ne correspond pas à celle indiquée dans le coupon de garantie;
- L'entretien préventif de l'outillage électrique, par exemple; le nettoyage, le lavage, le graissage.

6. Il est interdit d'utiliser l'outillage électrique avec les indices des défauts de fonctionnement (formation des étincelles excessive, l'odeur de brûlé, le bruit élevé, une forte vibration, une rotation irrégulière, la perte de la puissance). Il est interdit d'utiliser l'outillage en présence des défauts mécaniques de la prise de secteur (fissures, сколов, ruptures, faisceaux), de la prise du courant, aussi bien que des défauts du corps de l'outillage électrique.

7. Les blocs défectueux de l'outillage sont réparés ou remplacés par de nouveaux blocs gratuitement pendant la période de garantie. La prise de la décision de la rationalité de leur remplacement ou réparation appartient au Service de maintenance.

La réparation des défauts reconnus par nous comme couverts par la garantie, est réalisée au choix de la société BORT GLOBAL LIMITED moyennant la réparation ou remplacement de l'outillage défectueux. L'outillage et les pièces remplacés deviennent la propriété du Service d'entretien de BORT GLOBAL LIMITED.

8. Recommandations de l'entretien préventif de l'outillage électrique:

Pour l'outillage électrique l'entretien préventif régulier est recommandé (nettoyage, lavage, remplacement de lubrifiant dans le réducteur et dans les paliers; remplacement des pièces d'usure). L'entretien préventif mentionné garantit le fonctionnement impeccable de l'outillage électrique pendant toute la durée d'emploi. La périodicité de l'entretien préventif à la charge nominale correspond à la durée d'usure naturelle des balais en charbon. L'entretien préventif est payé selon les prix courants du service d'entretien. Dans le cas où pendant l'entretien préventif se révèlent des défauts auxquels s'applique la garantie, ils se réparent gratuitement. Les défauts révélés pendant le diagnostic auxquels la garantie ne s'applique pas sont réparés d'après l'accord entre les parties en vertu d'une procédure ordinaire.

L'entretien préventif ne change pas la durée de la période de garantie.

D'autres réclamations sauf le droit susmentionné de réparation gratuite des défauts de l'outillage, ne tombent pas sous le coup de la présente garantie.

9. Cette garantie n'affecte pas d'autres droits du client qui lui sont accordés par la législation en vigueur.

* Selon le modèle.

Уважаемый потребитель, сообщаем Вам, что вся наша продукция сертифицирована на соответствие российским требованиям безопасности согласно Закону РФ «О защите прав потребителей».

1. BORT GLOBAL LIMITED предлагает 1 год гарантии на свою продукцию, считая от даты продажи. На инструмент используемый в профессиональных, коммерческих целях гарантия не распространяется, подлежит только платному ремонту.

2. Бытовое использование инструмента характеризует ограничение по времени работы и подразумевает использование его для бытовых нужд, не более 40 часов наработки, при этом через каждые 15 минут непрерывной работы необходимо делать перерыв на 10-15 минут. Использование инструмента вопреки этому условию является нарушением правил надлежащей эксплуатации (данное условие не распространяется на насосы, генераторы, зарядные устройства и аналогичное оборудование). Срок службы инструмента при соблюдении вышеуказанного условия – 5 лет.

При покупке инструмента выписывается гарантийный талон (обязательно указываются дата продажи, модель, серийный номер инструмента, заполняются прочие поля). Просьба сохранять талон и кассовый чек в течение гарантийного срока для предъявления в сервисном центре.

Электроинструмент принимается в гарантийный ремонт только в собранном виде, с рабочими сменными приспособлениями и элементами их крепления (шины, пыльные диски, цепи, ножи, триммерные головки, форсунки, звездочки, болты, гайки, фланцы крепления инструмента).

3. Гарантийный срок продлевается до 3-5 лет*, если владелец регистрирует электроинструмент в течение 2 недель с момента покупки. Увеличение срока гарантии не распространяется на аккумуляторный инструмент, зарядные устройства и принадлежности, входящие в комплект поставки. Регистрация осуществляется только на сайте по адресу www.bort-global.com Подтверждением регистрации является регистрационный сертификат, который следует распечатать на принтере во время регистрации. Регистрационный сертификат предъявляется в сервисном центре вместе с гарантийным талоном и кассовым чеком.

4. В течение гарантийного срока устраняются бесплатно:

- Повреждения инструмента, возникшие из-за применения некачественного материала.
- Дефекты сборки, допущенные по вине изготовителя.

5. Гарантия не распространяется:

- На неисправности инструмента вызванные, несоблюдением инструкций по эксплуатации.
- На механические повреждения (трещины, сколы, механические повреждения сетевых шнуров, механические повреждения корпуса и т.п.) и повреждения, вызванные воздействием агрессивных сред и высоких температур, попаданием жидкостей, инородных предметов в вентиляционные решетки электроинструмента, а также повреждения, наступившие вследствие неправильного хранения (коррозия металлических частей и т.п.);
- На инструменты с неисправностями, возникшими вследствие перегрузки (одновременный выход из строя ротора и статора) или неправильной эксплуатации (использование затупленного, неподходящего, неотбалансированного, неправильно подобранного сменного инструмента), недостаточного технического обслуживания или ухода, применения инструмента не по назначению (использование для работы по материалу, для работы по которому инструмент не предназначен и т.п.), а также нестабильности параметров электротока, превышающих нормы, установленные ГОСТ 13109-97. К безусловным признакам перегрузки изделия относятся, помимо прочих: изменения внешнего вида, деформация или оплавление деталей и узлов

изделия, потемнение или облупливание изоляции проводов под воздействием высокой температуры.

- На быстроизнашивающиеся изделия и материалы (угловые щетки, ремни, резиновые уплотнения, сальники, защитные кожухи, платформы, шины, шестерни, подшипники, втулки, спирали накала, шкивы, ролики, штоки, стопорные кнопки и т.п.), на детали (шестерни, валы, подшипники, штоки, ролики и т.п.) подвергшиеся износу по причине выработки смазки, а также на сменные принадлежности (сверильные патроны, SDS патроны, платформы, цапги, шины, гибкие валы, аккумуляторные батареи, зарядные устройства и т.п.) и расходные материалы (ножи, пилки, абразивы, пыльные диски, сверла, буры, смазка и т. п.), за исключением случаев механических повреждений вышеперечисленных изделий, произошедших вследствие гарантийной поломки электроинструмента;
- Естественный износ инструмента или его деталей (выработка ресурса, сильное внутреннее или внешнее загрязнение, выработка смазки);
- На инструмент, вскрывавшийся или ремонтировавшийся в течение гарантийного срока лицами или организациями, не имеющими юридических полномочий производить ремонт;
- На инструмент с удаленным, стертым или измененным заводским номером, а также, если данные на электроинструменте не соответствуют данным на гарантийном талоне;
- На профилактическое обслуживание электроинструмента, например: чистку, промывку, смазку.

6. Не допускается эксплуатация электроинструмента с признаками неисправности (повышенное искрение, запах гари, повышенный шум, сильная вибрация, неравномерное вращение, потеря мощности). Запрещается эксплуатация электроинструмента при наличии механических повреждений шнурка электропитания (трещин, сколов, разрывов, связок), сетевой вилки, а также поврежденной корпуса электроинструмента.

7. Неисправные узлы инструментов в гарантийный период бесплатно ремонтируются или заменяются новыми. Решение вопроса о целесообразности их замены или ремонта остается за Службой сервиса.

Устранение неисправностей, признанных нами как гарантийный случай, осуществляется на выбор компании BORT GLOBAL LIMITED посредством ремонта или заменой неисправного инструмента. Замененные инструменты и детали переходят в собственность Службы сервиса BORT GLOBAL LIMITED.

8. Рекомендации по профилактическому обслуживанию электроинструмента:

Для электроинструмента рекомендуется проведение регулярного профилактического обслуживания (чистка, мойка, замена смазки в редукторе и подшипниках; замена быстроизнашиваемых деталей). Это обеспечивает безупречную работу электроинструмента во время всего срока службы. Периодичность проведения профилактического обслуживания при номинальной нагрузке равна сроку естественного износа угольных щеток. Работа по проведению профилактического обслуживания оплачивается согласно действующему прейскуранту сервисного центра. Выявленные при проведении профилактического обслуживания неисправности, попадающие под действие гарантийных обязательств, устраняются бесплатно. Негарантийные поломки, выявленные при диагностике, устраняются по согласованию сторон в обычном порядке. Проведение профилактического обслуживания не меняет продолжительности срока гарантии.

Другие претензии, кроме упомянутого права на бесплатное устранение недостатков инструмента, под действие настоящей гарантии не подпадают.

9. Настоящая гарантия не ущемляет других законных прав потребителя, предоставленных ему действующим законодательством.

* В зависимости от модели.

ГАРАНТИЙНЫЙ ТАЛОН ДЕЙСТВУЕТ НА ТЕРРИТОРИИ РЕСПУБЛИКИ БЕЛАРУСЬ



Внимание! Настоящий талон действует на территории Республики Беларусь. При продаже должны заполняться все поля гарантийного талона. Неполное или неправильное заполнение может привести к отказу от выполнения гарантийных обязательств. Исправления в гарантийном талоне не допускаются.

Наименование изделия

Модель

Серийный номер

Дата продажи

Подпись продавца

Торговая организация

штамп или печать магазина



С условиями гарантии ознакомлен(а), предпродажная проверка произведена в моем присутствии. Товар получен в исправном состоянии, без видимых повреждений, в полной комплектности. Претензий к внешнему виду и качеству работы инструмента не имею.

Подпись покупателя

СЕРВИСНЫЕ ЦЕНТРЫ В РЕСПУБЛИКЕ БЕЛАРУСЬ

- г. Минск, ул. К.Либкнехта, д.102 тел.: 8(017)-208-78-41
- г. Витебск, пр-т. Людникова, д.4, тел.: 8(021)-243-22-57
- г. Лида, ул. Победы, д.37, каб.121, тел.: 8(015)-453-25-39, 8(029)-956-56-47, 8(029)-886-45-39
- г. Гомель, пр-т. Ленина, д.3, офис 112, тел.: 8(023)-274-34-04, тел/факс 8(023)-274-90-33
- г. Могилев, ул. Челюскинцев, д.105, тел.: 8(022)-225-70-24, 8(025)-951-10-16
- г. Гродно, ул. Сосновая, д.7, тел.: 8(029)-658-95-29
- г. Сморгонь, ул. Советская, 8-47, тел.: 8(029)-637-24-68
- г. Молодечно, ул. В.Гостинец, д.55, тел.: 8(029)-560-87-07, 8(029)-658-15-36
- г. Жлобин, ул. Первомайская, д.41, ком.7, 8(044)-560-0789
- г. Брест, ул. Шоссейная, д.9, тел.: 8(016)-245-26-00, 8(044)-537-77-38, 8(033)-355-03-30
- г. Борисов, ул. Комсомольская, 78-15, тел.: 8(029)-7516011
- г. Пинск, ул. Брестская, 135, пав. 45, тел.: 8(025)-736-22-75
- г. Горки, ул. Якубовского, д.28, тел.: 8(022)-335-88-99

РЕКОМЕНДАЦИИ ПО ПРОФИЛАКТИЧЕСКОМУ ОБСЛУЖИВАНИЮ ЭЛЕКТРОИНСТРУМЕНТА

Для электроинструмента рекомендуется проведение регулярного профилактического обслуживания (чистка, мойка, замена смазки в редукторе и подшипниках; замена быстроизнашиваемых деталей). Это обеспечивает безупречную работу электроинструмента во время всего срока службы. Желательная периодичность проведения профилактического обслуживания при номинальной нагрузке равна сроку естественного износа угольных щеток. Работа по проведению профилактического обслуживания оплачивается согласно действующему прейскуранту сервисного центра. Выявленные при проведении профилактического обслуживания неисправности, попадающие под действие гарантийных обязательств, устраняются бесплатно. Негарантийные поломки, выявленные при диагностике, устраняются по согласованию сторон в обычном порядке.

Проведение профилактического обслуживания не изменяет гарантийный срок инструмента!

УСЛОВИЯ ГАРАНТИИ

«BORT GLOBAL LIMITED» рассматривает гарантийные претензии только при наличии правильно заполненного гарантийного талона установленного образца. При покупке инструмента выписывается гарантийный талон (обязательно указываются дата продажи, модель, серийный номер инструмента, заполняются прочие поля). Просьба сохранять талон и кассовый чек в течение гарантийного срока. «BORT GLOBAL LIMITED» предлагает 2 года гарантии на продукцию торговой марки Bort, считая от даты покупки.

Срок службы инструмента при соблюдении вышеуказанного условия – 5 лет.

- Не допускается эксплуатация электроинструмента с признаками неисправности (повышенное искрение, запах гари, повышенный шум, сильная вибрация, неравномерное вращение, потеря мощности). Запрещается эксплуатация электроинструмента при наличии механических повреждений шнура электропитания (трещин, сколов, разрывов, связок), сетевой вилки, а также повреждений корпуса электроинструмента.
- Электроинструмент принимается в гарантийный ремонт только в собранном виде, с рабочими сменными приспособлениями и элементами их крепления (шины, пыльные диски, цепи, ножи, триммерные головки, форсунки, звездочки, болты, гайки, фланцы крепления инструмента).
- Неисправные узлы инструментов в гарантийный период бесплатно ремонтируются или заменяются новыми. Решение вопроса о целесообразности их замены или ремонта остается за Службой сервиса. Заменяемые детали переходят в собственность Службы сервиса.

В течение гарантийного срока устраняются бесплатно:

- Повреждения инструмента, возникшие из-за применения некачественного материала.
- Дефекты сборки, допущенные по вине изготовителя.

Настоящая гарантия не ущемляет других законных прав потребителя, предоставленных ему действующим законодательством страны.

ГАРАНТИЯ НЕ РАСПРОСТРАНЯЕТСЯ:

- На механические повреждения (трещины, сколы, механические повреждения сетевых шнуров, механические повреждения корпуса и т.п.) и повреждения, вызванные воздействием агрессивных сред и высоких температур, попаданием инородных предметов в вентиляционные решетки электроинструмента, а также повреждения, наступившие вследствие неправильного хранения (коррозия металлических частей);
- На инструменты с неисправностями, возникшими вследствие перегрузки (одновременный выход из строя ротора и статора) или неправильной эксплуатации (использование затупленного, неподходящего, неотбалансированного, неправильно подобранного сменного инструмента), применения инструмента не по назначению (использование для работы по материалу, для работы по которому инструмент не предназначен и т.п.), а также нестабильности параметров электросети, превышающих нормы, установленные ГОСТ. К безусловным признакам перегрузки изделия относятся, помимо прочего: изменения внешнего вида, деформация или оплавление деталей и узлов изделия, потемнение или обугливание изоляции проводов под воздействием высокой температуры;
- На быстроизнашивающиеся изделия и материалы (угольные щетки, ремни, резиновые уплотнения, сальники, защитные кожухи, платформы, шины, шестерни, подшипники, втулки, спирали накала, шкивы, ролики, штоки, стопорные кнопки, рукоятки переключения режимов и т.п.) на детали (шестерни, валы, подшипники, штоки, ролики и т.п.) подвергшиеся износу по причине выработки смазки, а также на сменные принадлежности (патроны, SDS патроны, платформы, цанги, шины, гибкие валы, аккумуляторные батареи, зарядные устройства и т.п.) и расходные материалы (ножи, пилки, абразивы, пыльные диски, сверла, буры, смазку и т.п.), за исключением случаев механических повреждений вышеперечисленных изделий, произошедших вследствие гарантийной поломки электроинструмента;
- Естественный износ инструмента или его деталей (полная выработка ресурса, сильное внутреннее или внешнее загрязнение, выработка смазки);
- На инструмент, вскрытый или отремонтированный в течение гарантийного срока лицами или организациями, не имеющими юридических полномочий производить ремонт;
- На инструмент с удаленным, стертым или измененным заводским номером, а также, если данные на электроинструменте не соответствуют данным на гарантийном талоне;

Условия гарантии составлены производителем BORT GLOBAL LIMITED Room 1501, 15/F, SPA Centre, 53-55 Lockhart Road, WANCHAI HONG KONG и действуют на всей территории Республики Беларусь. При любых несоответствиях в маркировке, руководствоваться необходимо данным гарантийным талоном, в котором указана полная и достоверная информация по условиям гарантии, сроком гарантийного обслуживания. Другие условия гарантийного обслуживания не действуют на территории Республики Беларусь.

GUARANTEE CERTIFICATE

**GUARANTEE
CERTIFICATE**

GARANTIESCHEIN

**CERTIFICAT
DE GARANTIE**

**ГАРАНТИЙНЫЙ
ТАЛОН.**

Terms and Conditions of the
extended warranty online at
www.bort-global.com

Allgemeine
Geschäftsbedingungen der
verlangerten Garantie online
unter www.bort-global.com

Termes et Conditions de la
garantie prolongee en ligne
a www.bort-global.com

Условия и сроки
расширенной гарантии
на сайте по адресу
www.bort-global.com

--

*Stamp dealer • Briefmarkenhändler • Timbre marchand •
Наименование и штамп торговой организации*

--

Article • Artikel • Article • Наименование изделия

<i>Model • Modell • Modèle • Модель</i>	BSS-1415-W
---	-------------------

<i>Serial Number • Fabrikationsnummer • Num. • Серийный номер</i>	
---	--

<i>Date of purchase • Kaufdatum • Date d'achat • Дата продажи</i>	
---	--

<i>Salesman • Verkäufer • Vendeur • Подпись продавца</i>	
--	--

*After having read the warranty terms and pre-purchase inspection I certify that I've got no
complaints in respect of the appearance and performance of the tool.*

*С условиями гарантии ознакомлен, предпродажная проверка произведена, к внешнему
виду и качеству работы инструмента претензий не имею.*

<i>Signature • Unterschrift • Signature • Подпись покупателя</i>	
--	--

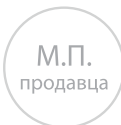
BORT GLOBAL LIMITED Room 1501, 15/F., SPA Centre, 53-55 Lockhart Road, WANCHAI HONG KONG





Купон №3

Coupon №3:



Модель:

Model:

BSS-1415-W

Серийный №:

Serial №:

Дата поступления в ремонт:

Repair start date:

Дата выполнения ремонта:

Repair completion date:

Вид ремонта:

Type of repair:

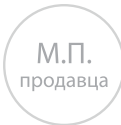


Подпись мастера



Купон №2

Coupon №2:



Модель:

Model:

BSS-1415-W

Серийный №:

Serial №:

Дата поступления в ремонт:

Repair start date:

Дата выполнения ремонта:

Repair completion date:

Вид ремонта:

Type of repair:

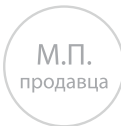


Подпись мастера



Купон №1

Coupon №1:



Модель:

Model:

BSS-1415-W

Серийный №:

Serial №:

Дата поступления в ремонт:

Repair start date:

Дата выполнения ремонта:

Repair completion date:

Вид ремонта:

Type of repair:



Подпись мастера



- DE Änderungen vorbehalten
- GB Subject to change
- FR Sous réserve de modifications
- RU Возможны изменения



BORT GLOBAL LIMITED
Room 1501, 15/F., SPA Centre, 53-55 Lockhart Road,
WANCHAI HONG KONG
Made in China