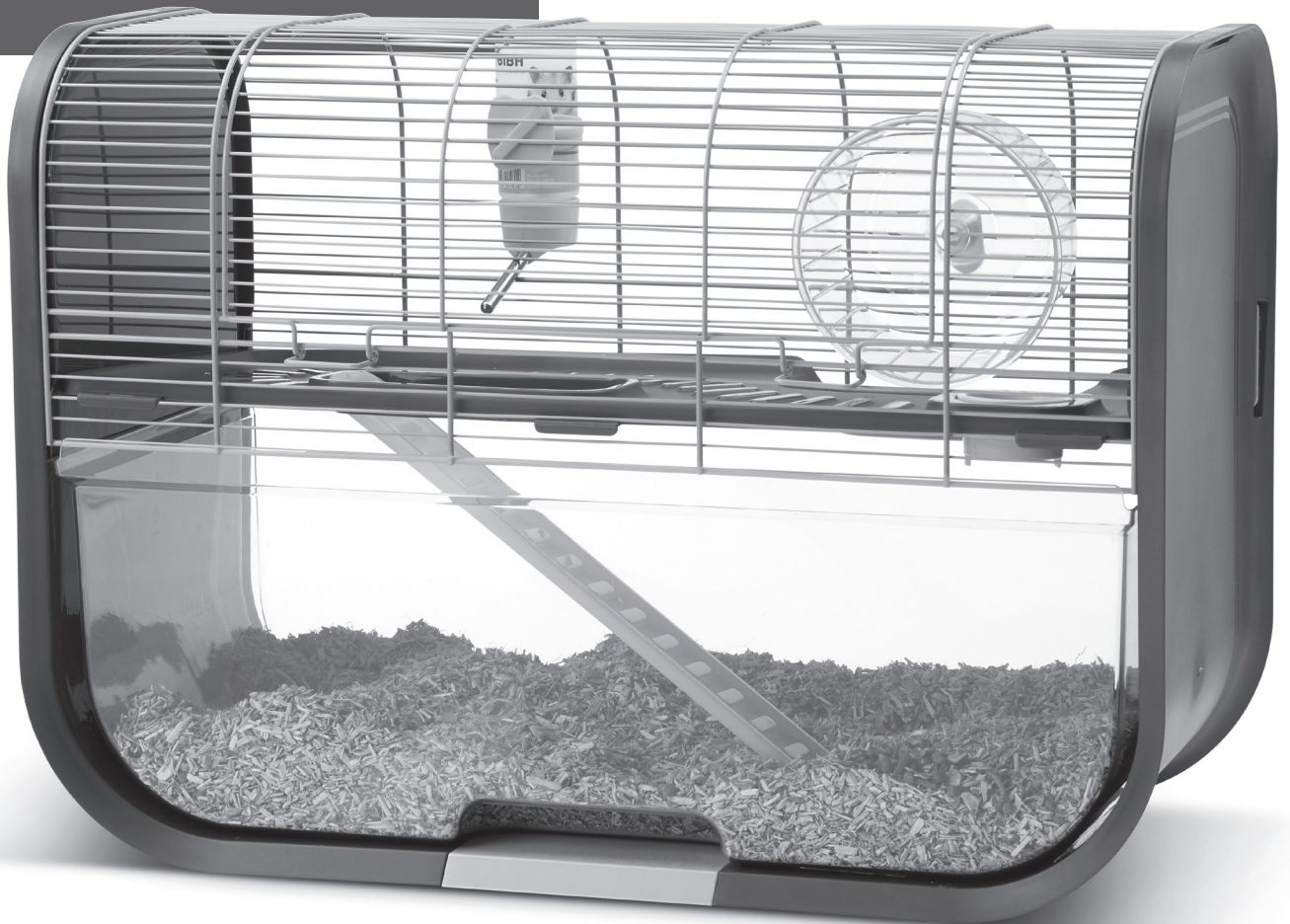


Geneva

assembly instructions

SAVIC®

pets' favourite

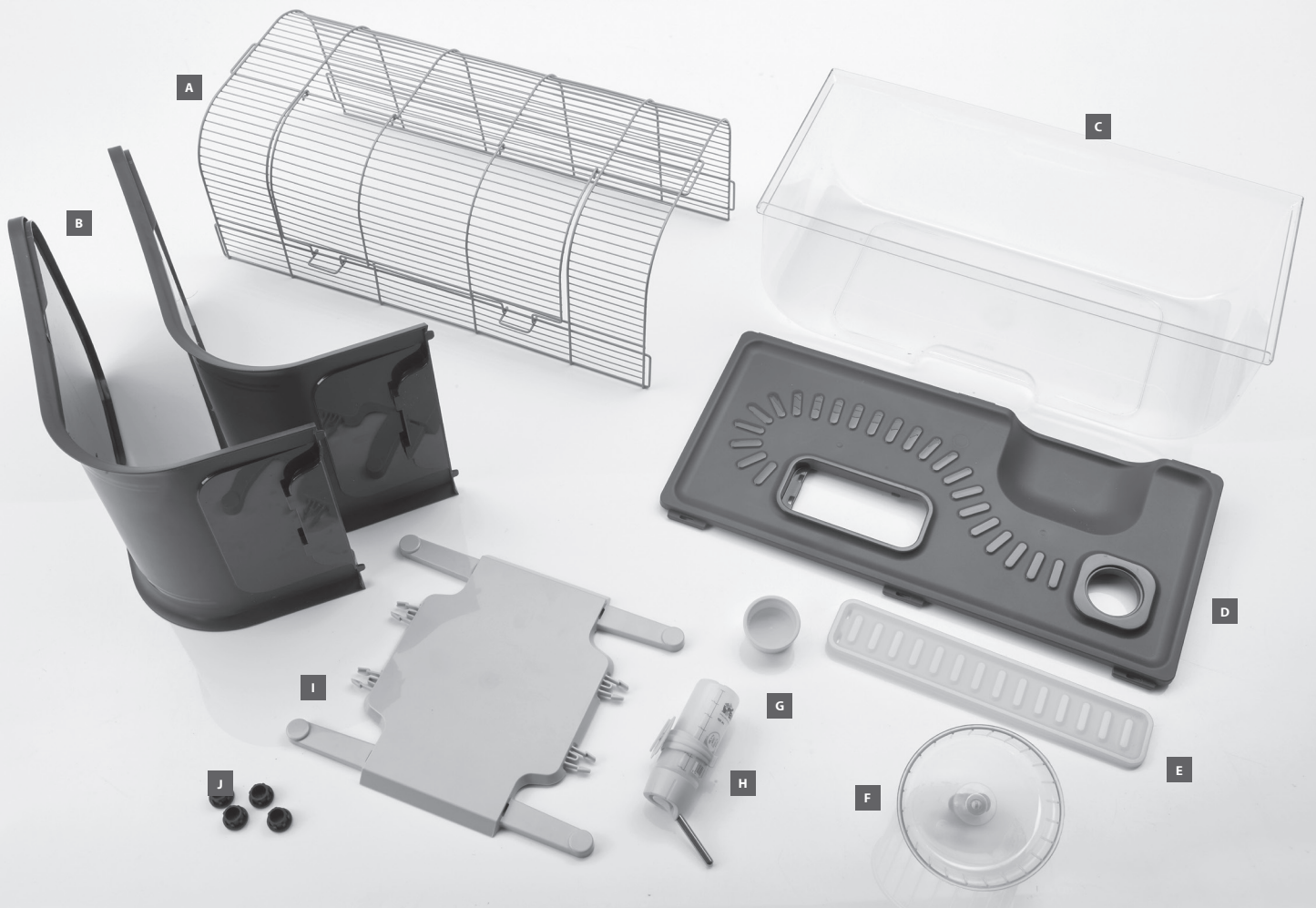


Follow us on  

#petslovesavic

Check list

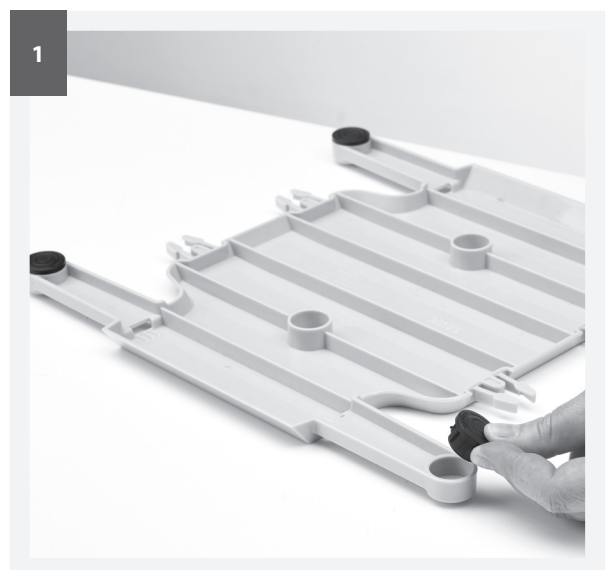
Before you start assembling your cage, please check if you have all the components.
If any part is missing or damaged, do not use your cage.



- A 1 cage
- B 2 side panels
- C 1 plastic tank
- D 1 cage platform
- E 1 ladder

- F 1 exercise wheel
- G 1 feeding bowl
- H 1 water bottle + holder
- I 1 connector for side panels
- J 4 non-slip feet

instruction video

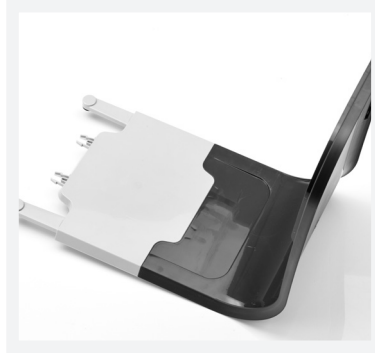


Assemble the 4 non-slip feet below the connector.

2



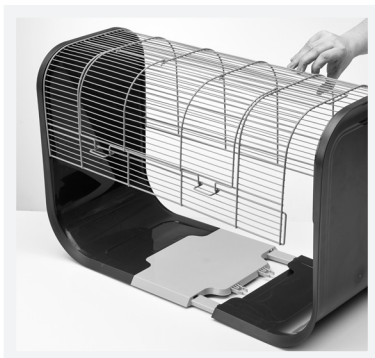
Take 1 of the 2 side panels and attach to the connector.



3



Click now the wire cage part into the side panel. Make sure it is well fixed. Take now the remaining side panel and assemble this to the cage and the connector.



4



Install the cage floor.

5



Place the plastic tank below the cage part.

6



Fill the bottle completely with water and attach to the side of the cage so your hamster can easily reach it from the floor and also fill the feeding bowl. Attach the exercise wheel to the cage part and the ladder to the cage floor.

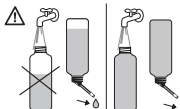
7



Take the plastic tank of your Geneva and fill half way with a layer of wood flakes. Your Geneva is now ready for your hamster.

Montage-instructies in het Nederlands - Instructions de montage en Français - Aufbau-Anleitung auf Deutsch -
Instrucciones de montaje en español - руководства на русском языке

www.savic.be/geneva



ATTENTION

To avoid leakage,
always fill bottle 100%.



Rinse spout with hot water
before first use.