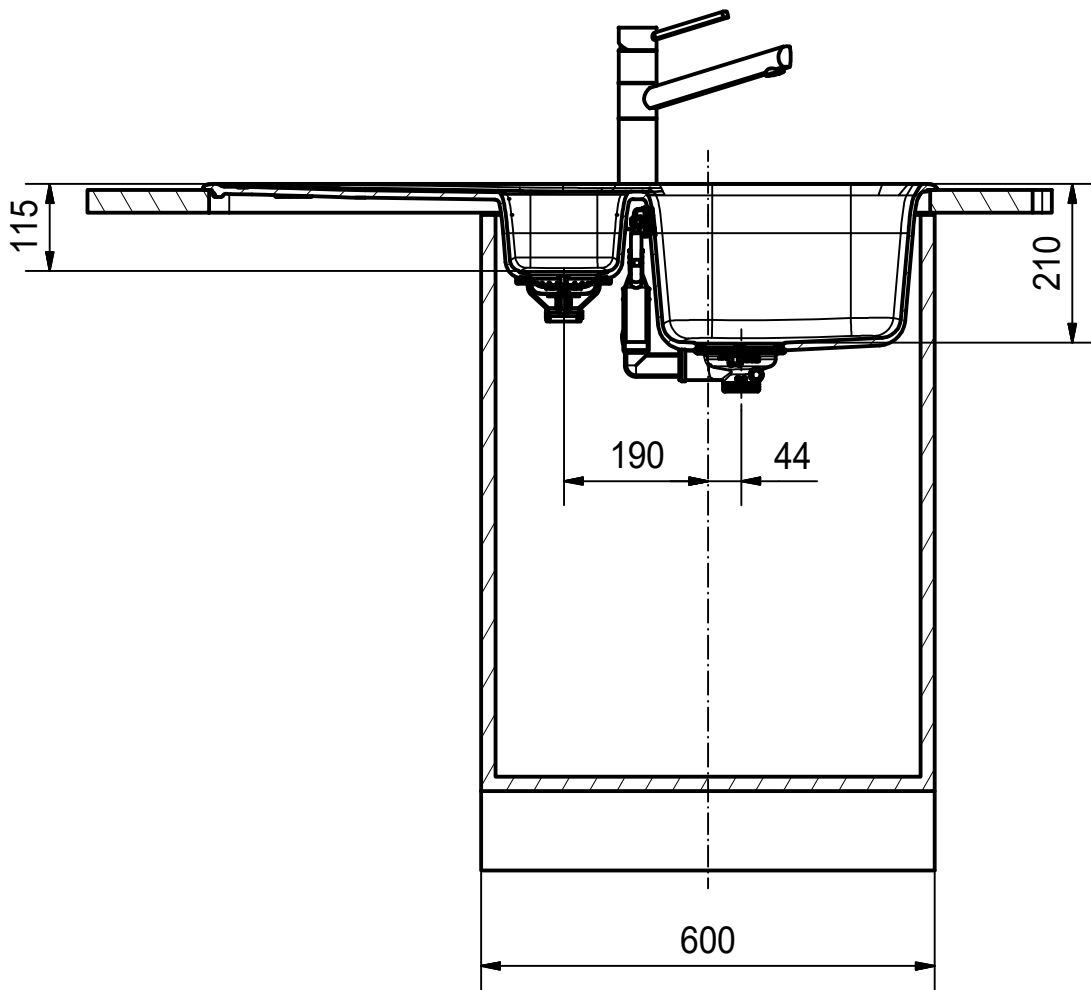


DF



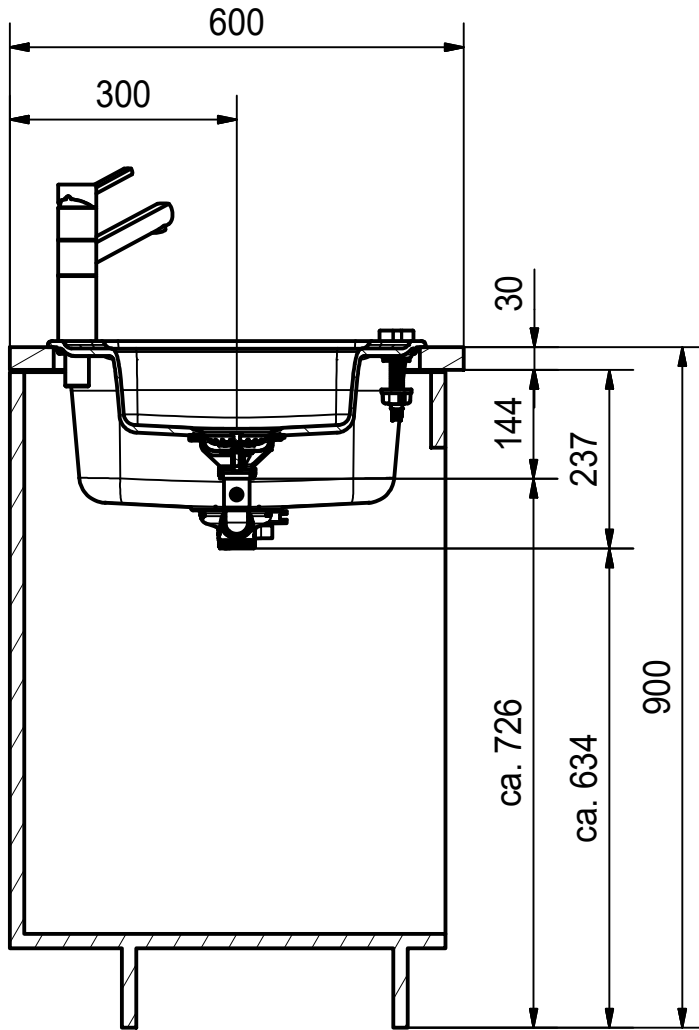
Drawing No.	20127459_01	Revision	-
Drawn Date	22.08.2017		
<small>These drawings and specifications are the property of Franke Technology and Trademark Ltd. and shall not be reproduced, copied or transferred to any third party without the prior written permission of Franke Technology and Trademark Ltd., Hergiswil, Switzerland</small>			

Franke Küchentechnik AG  
CH-4663 Aarburg  
Phone: +41 62 787 31 31  
Internet: www.franke.com

**AZG 651**

Sheet	Sheets
1	6

# DS



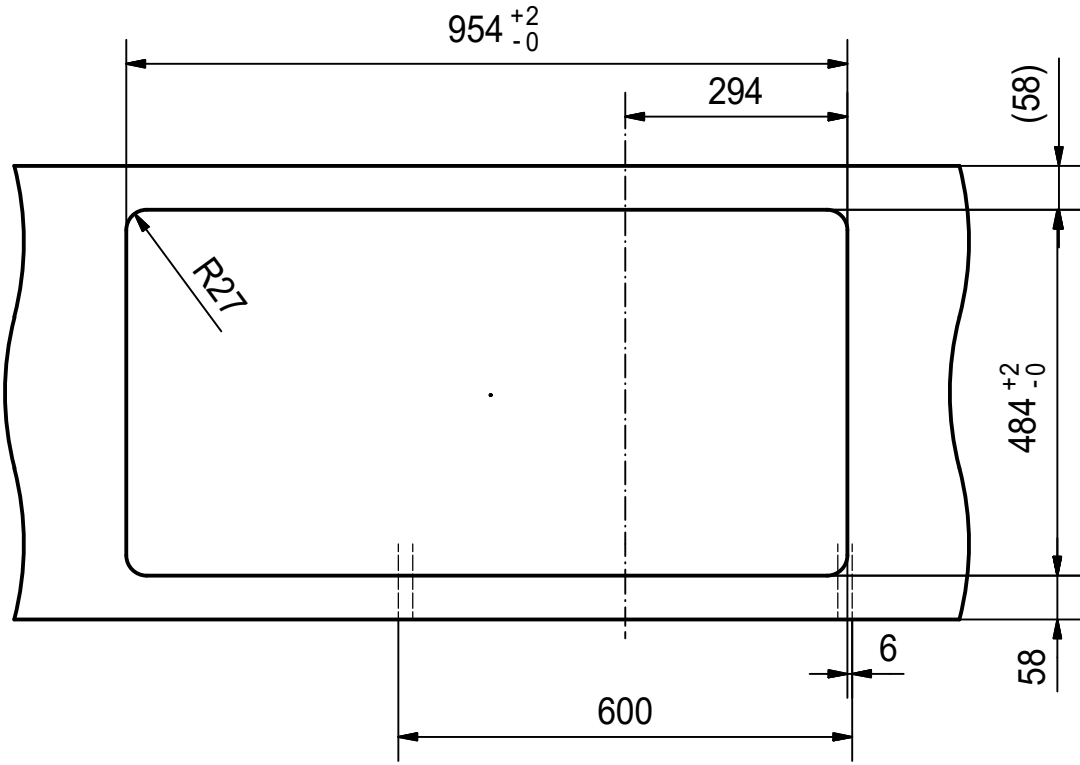
Drawing No.	20127459_01	Revision	-
Drawn Date	22.08.2017		
<small>These drawings and specifications are the property of Franke Technology and Trademark Ltd. and shall not be reproduced, copied or transferred to any third party without the prior written permission of Franke Technology and Trademark Ltd., Hergiswil, Switzerland</small>			

Franke Küchentechnik AG  
CH-4663 Aarburg  
Phone: +41 62 787 31 31  
Internet: [www.franke.com](http://www.franke.com)

## AZG 651

Sheet	Sheets
2	6

CO



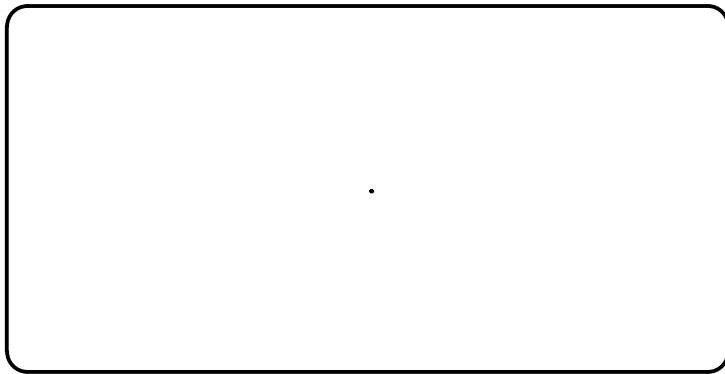
Drawing No.	20127459_01	Revision	-
Drawn Date	22.08.2017		
<small>These drawings and specifications are the property of Franke Technology and Trademark Ltd. and shall not be reproduced, copied or transferred to any third party without the prior written permission of Franke Technology and Trademark Ltd., Hergiswil, Switzerland</small>			

Franke K uchentechnik AG  
CH-4663 Aarburg  
Phone: +41 62 787 31 31  
Internet: www.franke.com

**AZG 651**

Sheet	Sheets
3	6

# CNC



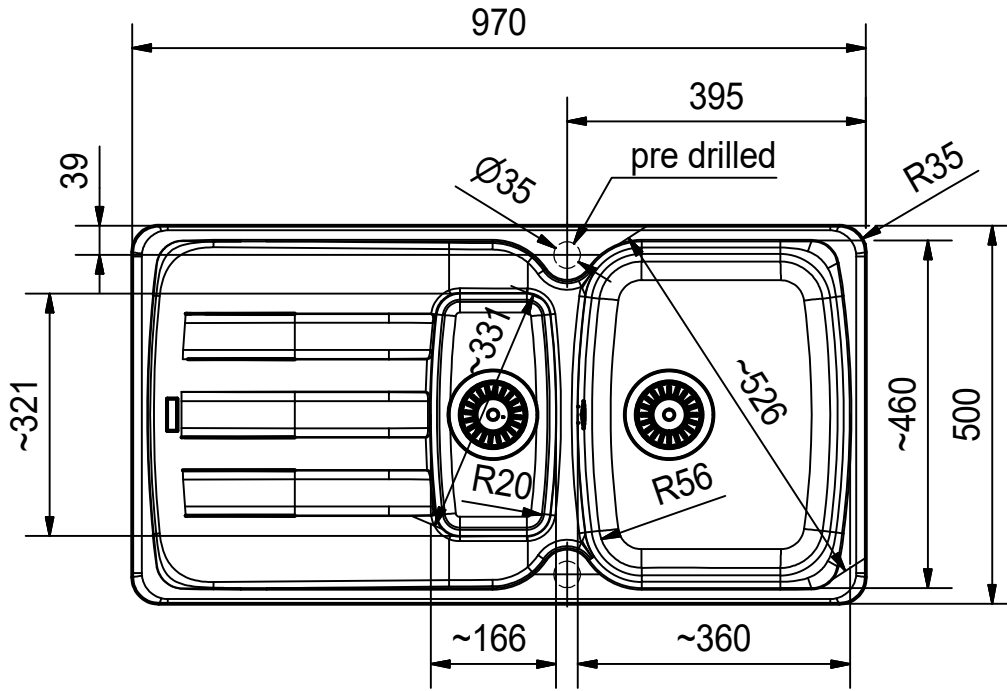
Drawing No.	20127459_01	Revision	-
Drawn Date	22.08.2017		
<small>These drawings and specifications are the property of Franke Technology and Trademark Ltd. and shall not be reproduced, copied or transferred to any third party without the prior written permission of Franke Technology and Trademark Ltd., Hergiswil, Switzerland</small>			

Franke Küchentechnik AG  
CH-4663 Aarburg  
Phone: +41 62 787 31 31  
Internet : [www.franke.com](http://www.franke.com)

## AZG 651

Sheet	Sheets
4	6

DT



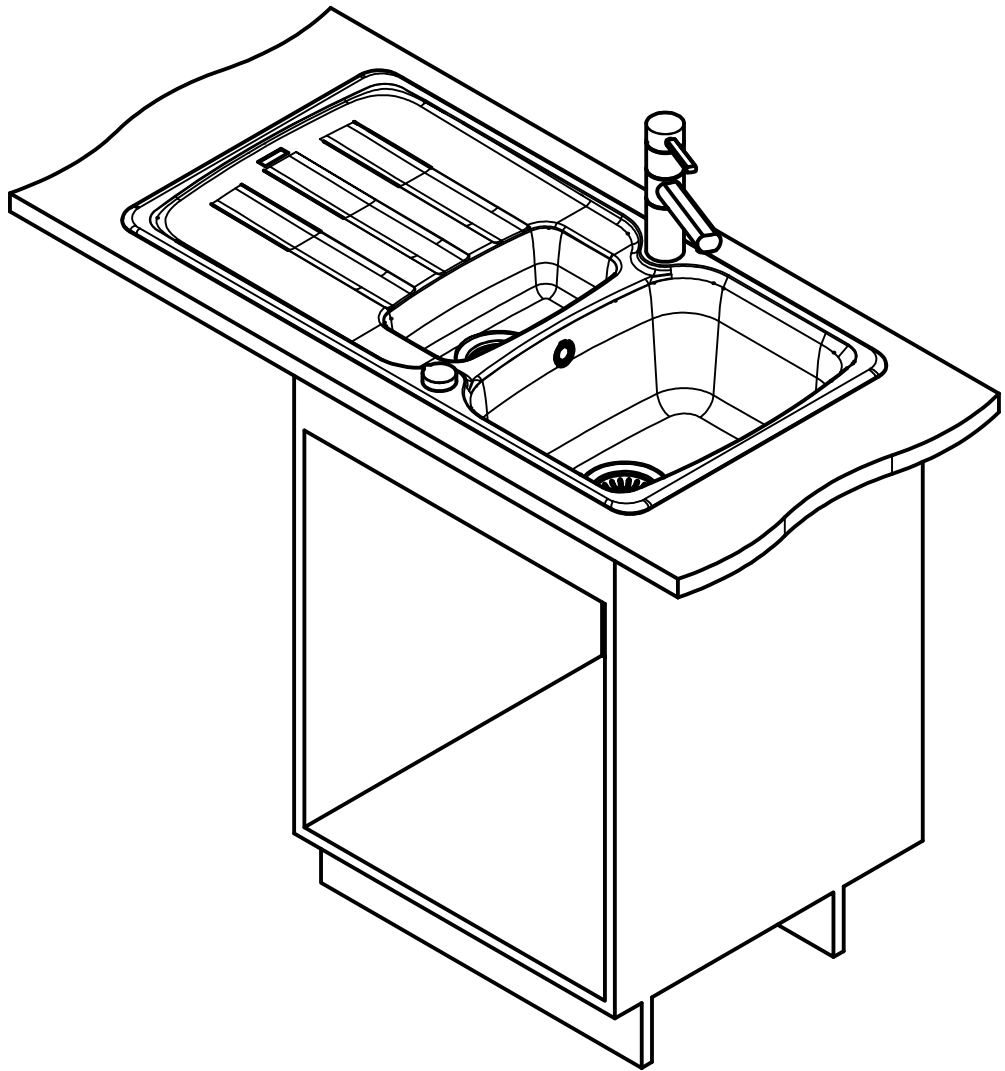
Drawing No.	20127459_01	Revision	-
Drawn Date	22.08.2017		
<small>These drawings and specifications are the property of Franke Technology and Trademark Ltd. and shall not be reproduced, copied or transferred to any third party without the prior written permission of Franke Technology and Trademark Ltd., Hergiswil, Switzerland</small>			

Franke Küchentechnik AG  
CH-4663 Aarburg  
Phone: +41 62 787 31 31  
Internet: www.franke.com

**AZG 651**

Sheet	Sheets
5	6

# ISO



Drawing No.	20127459_01	Revision	-
Drawn Date	22.08.2017		
<small>These drawings and specifications are the property of Franke Technology and Trademark Ltd. and shall not be reproduced, copied or transferred to any third party without the prior written permission of Franke Technology and Trademark Ltd., Hergiswil, Switzerland</small>			

Franke Küchentechnik AG  
CH-4663 Aarburg  
Phone: +41 62 787 31 31  
Internet: www.franke.com

## AZG 651

Sheet	Sheets
6	6